



GENUINE MEGA.

MTT/MWT

APPLICATIONS FOR CATERPILLAR® RIGID TRUCKS



MTT/MWT-MEGA RIGID FRAME TRUCK TANK





GENUINE MEGA.

SPECIALTY HAULAGE SOLUTIONS FOR CONSTRUCTION AND MINING

For over 35 years, Mega has been manufacturing water & fuel tanks, coal haulers & bottom-dump trailers, equipment transports, specialty dumper bodies, mobile pumps and, most recently, elevating scrapers for use in construction and mining applications around the world. Mega designs and manufactures all of its products and sells and supports these products through OEM construction & mining equipment dealers worldwide.

Mega products are designed to work properly with Caterpillar's products, to maintain full Caterpillar® warranty and to utilize Caterpillar® componentry to the greatest extent possible. Mega warrants all of its products for one year/unlimited hours. Mega manufactures its products in its facilities at its headquarters in Albuquerque as well as with manufacturing partners in Chile, Colombia, South Africa, Australia, India and the United Kingdom. Mega provides equipment and parts sales and technical support to its dealers and end-customers for all of its products around the world.

We look forward to serving you!



Jim Kunz
President

MEGA CORP.®
700 Osuna Rd. N.E. • Albuquerque, NM 87113
1-800-345-8889 • 505-345-2661 • Fax 505-345-6190
www.megacorpinc.com

TABLE OF CONTENTS

MTT/MWT-MEGA RIGID TRUCK TANK	1
MEGA Anti-Surge Stabilization System (M.A.S.S.)	2
DiSCS™ Digital Spray Control System	3-4
MEGA Spray System Cab Control	5
M4B Water Pump.....	5
MEGA Standard Features	5-9
Color Exterior.....	6
Direct Pin Mounting.....	6
Flexible Front Mounting.....	6
Banded Internal Access Manways	6
Access Ports & Anti Skid Manways	6
Fort Port	6
Ladder & Hand Rails	7
LED Lighting & Utility Lights	7
Fall Protection Tie Off Points	7
Mud Flaps	7
MTT/MWT Technical Manuals	7
MEGA Spray Head Valves.....	8
MEGA Hydraulic Spray Head.....	8
MEGA Pneumatic Spray Head	8
Rear Spray Bar.....	8
Spray Capability.....	9
MEGA Optional Features	10-14
Factory Installation.....	10
Hose Reel	10
Splash Guard	10
Rock Ejectors	10
Conical Fill Port	10
Dump Bar.....	11
Dump Valve.....	11
Vertical Side Spray.....	11
Swivel Couplings	11
Intermittent Spray Package.....	11
MEGA Water Cannon	12
MEGA Hydraulic Water Cannon.....	12
MEGA Foam Agent Fire Suppression System	13
MEGA Nozzles	13
Hoist Cylinder Compatible.....	14
Corrosion Resistant Options.....	14
Quick Change Component Package	15
MTT9 CAT769.....	16
MTT/MWT9 CAT770 Tank Dimensions	17
MTT/MWT13 & 15 CAT773 & CAT775 Tank Dimensions	18-19
MTT/MWT20 CAT777 Tank Dimensions	20
MTT/MWT30 CAT785 Tank Dimensions	21
MTT42 CAT789 Tank Dimensions	22
MTT/MWT52 CAT793 Tank Dimensions	23
MEGA WARRANTY.....	24



MTT/MWT-Mega Rigid Frame Truck Tank

THE MOST EFFECTIVE AND MOST DURABLE WATER TANK IN THE MARKET

MTT/MWT-Mega Rigid Frame Truck Tank water tank kits are designed for conversion of off-highway type, rigid frame, dump truck chassis with carrying capacities between 40 and 320 tons into water hauling distribution machines for dust and fire suppression. The MTT kit requires a dealer/customer supplied truck chassis. Factory installation and testing is available on some models. Field installation assistance by factory trained Product Support personnel is also available.

The MTT model is designed to fit a customer specified and provided truck chassis. MTT tank models can be factory installed and tested at our facility but are generally shipped in kit form for field installation at either the customer shop facility or on the work site.

The MWT model tank (Caterpillar® Only) is a Mega supplied complete water unit which may be shipped assembled from our factory in Albuquerque, N.M. depending on customer requirements and truck model.

Mega tanks are constructed with high quality materials and are thoroughly inspected both during and after the manufacturing process to ensure the best tank spray system in the market today. Every tank kit includes full manuals for installation, operation, maintenance and parts. Mega maintains complete stocks of repair and replacement parts and components available for immediate shipment. We also offer support parts kits for every model of tank we make.

The Mega product support team is available to assist with all facets of installation via phone or e-mail. Mega stocks the complete line of service & repair parts and orders can be placed on-line at our website or by phone. On-site technical assistance is available – speak with your Mega sales representative for complete details.

Available Mega MTT/MWT Water Tanks for CATERPILLAR®

MEGA MODEL	TANK SIZE	CHASSIS CONFIGURATION	MEGA MODEL	TANK SIZE	CHASSIS CONFIGURATION
MTT9	34,065 Liters (9,000 Gallons)	CAT769	MTT/MWT20	75,700 Liters (20,000 Gallons)	CAT777
MTT/MWT9	34,065 Liters (9,000 Gallons)	CAT770	MTT/MWT30	113,550 Liters (30,000 Gallons)	CAT785
MTT/MWT11	41,635 Liters (11,000 Gallons)	CAT772	MTT35	132,475 Liters (35,000 Gallons)	CAT789
MTT/MWT13	49,205 Liters (13,000 Gallons)	CAT773	MTT42	158,970 Liters (42,000 Gallons)	CAT789
MTT/MWT15	56,775 Liters (15,000 Gallons)	CAT775	MTT/MWT52	196,820 Liters (52,000 Gallons)	CAT793

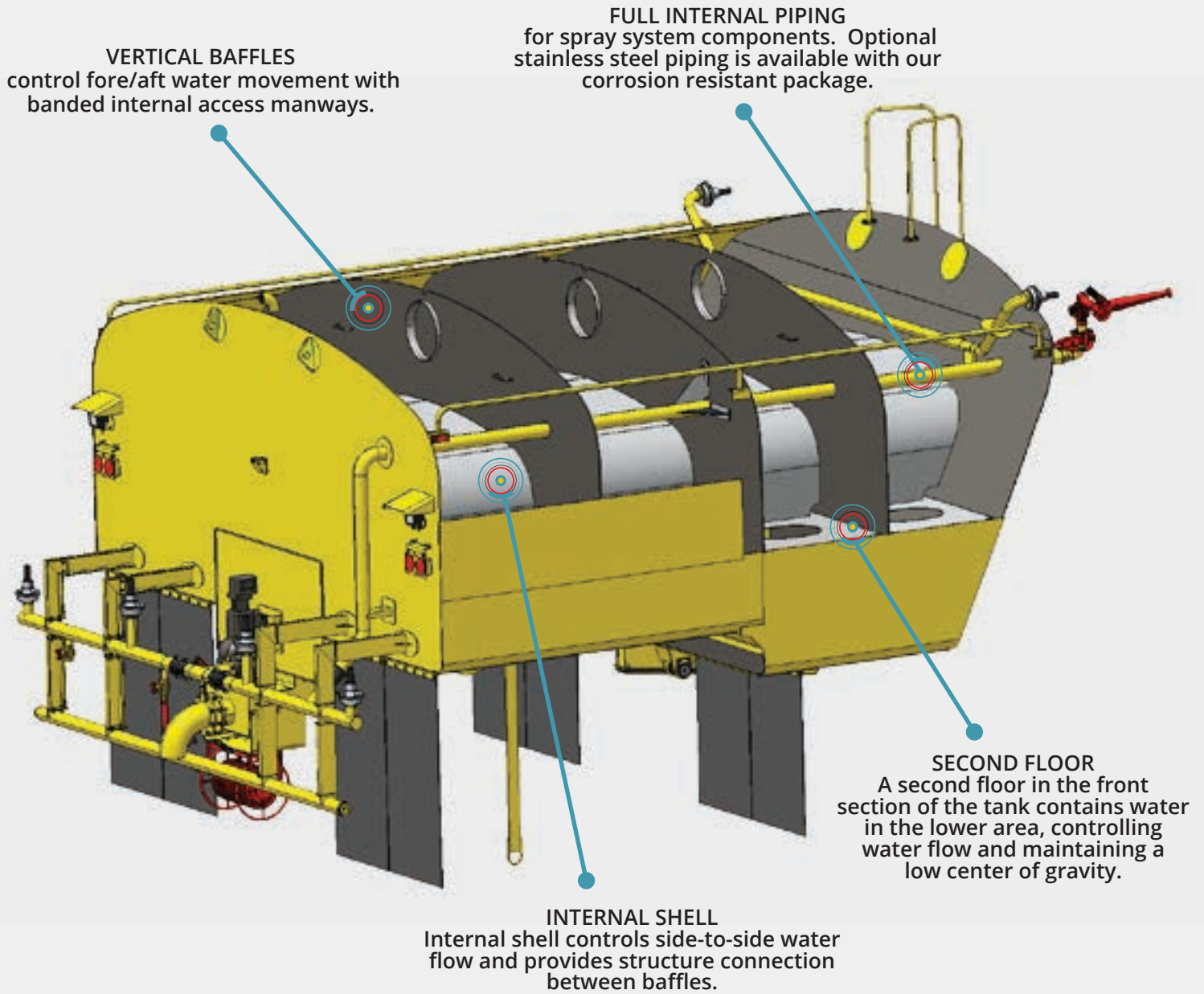
For other tractor models and custom sizes please contact Mega or your local Caterpillar® dealer for more information.



While Tanks May Look Similar On The Outside- It's What's Inside That Counts!

The Mega Anti Surge System (MASS) tank baffling design begins with a heavy duty spine that supports the rear pivot mounting. Line boring the rear pivot mounts ensures accurate direct pin installation of the tank. Heavy high strength steels in critical areas ensure long failure free life of the tank. Proper loading of the chassis frame ensures load stability, good machine handling, and long frame life of the chassis.

Front spring type tie down mounts and sturdy adjustable body pads ensure that the chassis is properly loaded and balanced. The compartment style baffling built on top of the strong spine foundation controls the effects of surging water. Fully welded baffling, properly located with tightly controlled quality ensures that your Mega tank is the strongest, most stable, longest lasting tank available today.



Mega Spray Control System



Most Mega water products are now available with the new Mega Digital Spray Control System (DiSCS™)*. Along with the base DiSCS™ System, Mega is offering a GPS optional accessory that allows the operator to automatically control the amount of water applied to road surfaces based on ground speed.

Standard System Features

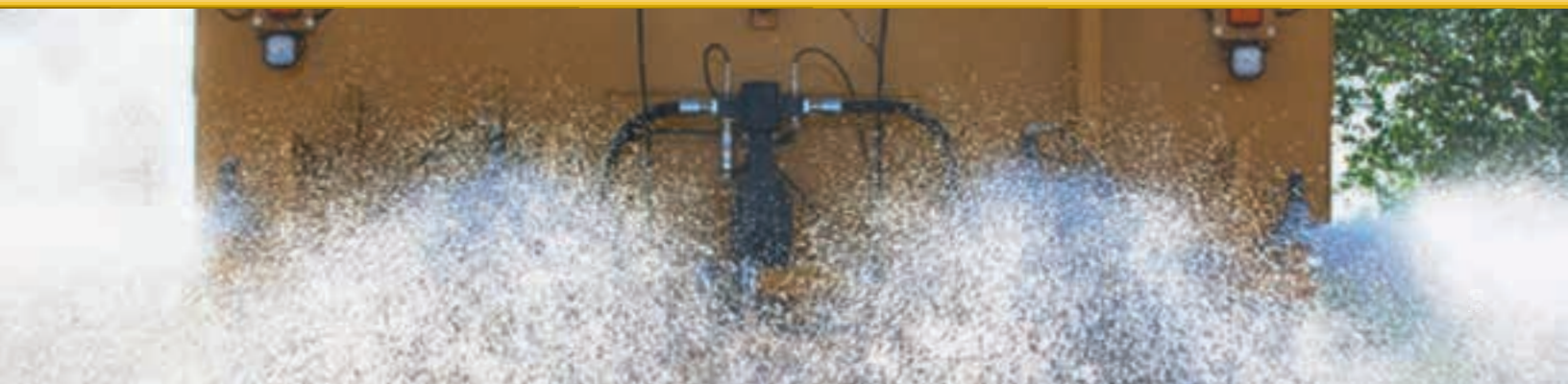
- Easy to use compact ergonomic operator interface
- In-cab water level indicating system
- Intermittent spray head function with on/off adjustments
- Work light and auxiliary controls
- Ability to control all optional spray control functions
- Easy to maintain and troubleshoot logic control systems

Water Pump Protections

- System controlled soft starts/stops to protect against operator induced sudden starts and stops that can decrease drive motor and water pump service life.
- Automatic soft stop when low water condition is sensed in the tank sump that may cause dry running of the water pump.
- Prevents overheating of the water pump during extended water pump operation when spray heads and water cannon valves closed (no water flowing across the pump).



* Patent pending.





The DiSCS™ GPS option works with the existing Mega spray system hardware – water pumps, hydraulic motors, spray heads and electro-hydraulic controls. The GPS option is available for use with most Mega water products and offers the following additional benefits over the base system:



GPS Speed Sensing

DiSCS™ uses GPS data to determine speed. The GPS system is universal – there is no special application-specific engineering required and the system is not vulnerable to contamination like radar-based systems. **NOTE: Requires purchase of DiSCS option.**



Self-Contained

DiSCS™ does not require connections to other vehicle systems to determine speed. Because it is self-contained, it is easy to adapt to a wide variety of machine applications.



Automatic Water Consumption Reduction

The DiSCS™ system utilizes a PWM (pulse width modulation) strategy to automatically limit the amount of water consumed based on vehicle speed while maintaining road dust control coverage. Utilizing the PWM strategy avoids the addition of complex and costly variable flow hydraulic systems and the resulting impact on machine reliability.



Automatic Shut-off

The DiSCS™ system automatically shuts off the flow of water as the vehicle comes to a stop to prevent puddling. Spraying automatically resumes as the machine begins to move again.



Fail-Safe

In the event the DiSCS™ system loses its GPS speed signal or otherwise malfunctions, the system reverts to manual mode and allows the machine to continue operating with full capability in the original, manual mode until repairs can be made – no need to immediately down the machine.



Versatility

DiSCS™ is adaptable to most Mega water equipment and can be easily added in the field to machines originally equipped with the base system described above. The control system can be retrofitted to many older models of water distribution equipment equipped with Mega spray systems without replacing any hardware. And, the entire system can be used with competitive water tanks as well.



Reliability

DiSCS™ utilizes the same Mega water pump, hydraulic motors, spray heads and electro-hydraulic controls. There are no complex modifications to the vehicle's hydraulic systems or powertrain – in fact these interfaces do not change at all. The same durable Mega spray system components are maintained with all of the same parts supply, technical support and documentation.

* Patent pending.

Mega Cab-Control

The in-cab spray control module provides independent control of each spray head, water valve and accessory of the Mega water tank. Included in the cab control module is an LED type water level gauge. Our control module is built for rugged use in the harshest environments of mining and construction.

Hydraulic vs. Pneumatic Spray Control System

Older model truck chassis included pneumatic systems which could be utilized for spray head valve and valving actuation. With the advent of all hydraulic trucks we developed Mega current hydraulic spray control systems. The hydraulic system is much more dependable and rugged eliminating the problems and maintenance issues of a pneumatic system. We still offer a pneumatic spray control system for those trucks that can use it.



Typical Cab Control Module

Electro-Hydraulic Spray Control System

For the most demanding mining environments, and for tractors without a pneumatic system we recommend Mega hydraulic spray control system. The cab control module operates our Mega proprietary hydraulic solenoid spray control module that individually actuates all spray head valves and water valves on board. The spray control system operates independently from the water pump drive circuit. The solenoid module is housed in a weather tight steel housing.

There are two electronic water level gauges, one in the cab control module inside the cab and the other on the solenoid control module mounted outside the cab. Spray system oil is filtered through the filtering module mounted on the spray control module housing. Mega Corp. fully supports these systems with spare parts and full time Product Support.



Step Box

Electro-Pneumatic

The Mega electro-pneumatic spray system provides independent control of all spray nozzles and valving. The solenoid control module is mounted inside a weather resistant proof steel housing mounted on the front bulkhead of the tank. There is one electronic water level gauge on the cab control module inside the cab.

NOTE: Only available on truck chassis models with pneumatic capability.

Mega Water Pumps

The heart of the Mega spray system is the water pump. The water pump is actuated with the truck's hydraulic hoist pump and valve system. Mega spray controls ensure proper integration with the truck chassis' hoist valve and ECM. Oil is returned into the truck oil filtration and cooling system.

MTT/MWT models feature the Mega M4B high performance water pump capable of over 1000 gpm or over 100 psi. The M4B series of pump also feature direct bolt on hydraulic motor mount and steel splined coupling to simplify drive motor connection. The M4B pumps are available in both standard cast iron as well as corrosion-resistant models with stainless steel waterways.



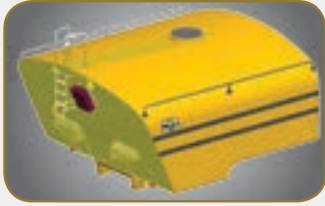
Mega M4B Water Pump



Mega M4B Corrosion Resistant Water Pump



Standard Features



Color Exterior Alkyd Enamel Paint

All Mega tanks are fully abrasive blasted prior to application of heavy anti-corrosive prime paint then top coated with customer choice of one color. Tank color is most often matched to the tractor color. Custom coatings and graphics are available upon request.



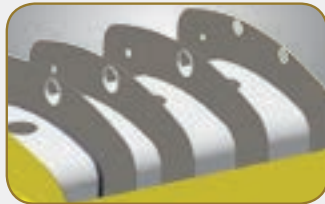
Direct Pin Mounting With Line-Bored Holes

Mega MTT/MWT tanks pin directly to the rear pivot mounts of the truck chassis. No welding is required at this point. New pivot pins and shims are supplied with the tank.



Flexible Front Mounting

The truck chassis is allowed to flex beneath the spring type front mounting tie downs. No welding is required to install these mounts.



Banded Internal Access Manways

Internal access to the interior of the tank is gained through the fill port. Banded internal manways allow for inspection of tank interior compartments.



Access Ports and Anti-Skid Walkway

The standard fill port is 914mm (36 in) diameters and located on the top center line of the tank. A steel tread grip walkway extends from the access ladder on the front bulkhead to the fill port. Supplemental fill ports with bolt on lids are available as optional equipment and are included on our tanks of 113,550 liters (30,000 gallons) and larger.



Fill Port With Safety Grate

A bolt in trash screen safety grate is included in the main fill port. Conical shaped fill ports, custom locations, and custom design fill ports are available as optional equipment.



Ladder and Hand Rails (excludes EU Products)

All Mega tanks include an access ladder to the top of the tank. Our standard ladder features tread grip rungs for a sure footed grip and hand rails at the top of the ladder for ease of access to the top of the tank. Optional customized safety railing is available upon request to meet your exact requirements (extra charges may apply).



LED Lighting & Utility Lights

All clearance, stop, and tail lighting on Mega tanks are LED type for long life and low maintenance. Two work lights are mounted on the rear bulkhead of the tank beneath water shedders. The lights are controlled by switches in the cab control.



Fall Protection Tie Off Points (excludes EU Products)

All Mega MTT/MWT models include fall protection tie off points. Optional custom fall protection tie off points are available and quoted upon request.



Mud Flaps

Mud flaps fore and aft of rear drive tires are standard equipment on all Mega MTT and MWT tanks.



Technical Manuals

Each Mega water tank kit includes one set of the following manuals: Operators, Maintenance, Parts, Kit Installation Guide/Instructions as well as service drawings and schematics. Additional sets of manuals are available for purchase. Please contact Parts Sales for more information.





Standard Features

Mega Spray Head Valves

Mega Corp. developed and patented its spray heads in 1976 and has continually improved them since. Each Genuine Mega spray head is fully adjustable for fan volume, width, and direction. Precision water application is a simple matter of proper selection of spray head settings and the number of spray heads activated.

Standard Mega spray head valves are constructed of a high-quality aluminum alloy metal. We offer optional stainless steel models to better resist corrosion and abrasion of harsh waters often found in mining environments. Our spray head valves are available in both pneumatic and hydraulic actuated models.

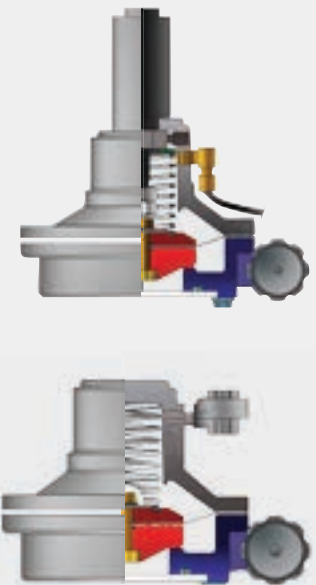


Mega Hydraulic Spray Head Valves

The Mega hydraulic spray head valve utilizes a custom made high quality heavy duty double acting hydraulic cylinder to open and close the valve portion of the spray head. This spray head valve is suitable for any heavy equipment prime mover and requires a hydraulic solenoid spray control system.

Mega Pneumatic Spray Head Valves

The Mega pneumatic spray head valve uses air pressure produced by the prime mover's pneumatic system to actuate the spray head valve via electro-pneumatic solenoid spray system or manual air type pneumatic air valve switch control. Air pressure into the spray head valve closes the spray head. Release of air pressure from inside the top cavity of the spray head allows it to fully open.



Rear Spray Bar

Rear Spray Bar

The rear spray bar is designed to fully utilize the capability of the water pump and features two or more Genuine Mega Spray head valves. The rear spray bar is constructed of 102 mm (4 in.) diameters pipe and covers the entire width of the rear of the tank. The standard rear spray bar is constructed of regular carbon steel pipe. Optional stainless steel spray bars and spray heads are available in our corrosion resistant package.

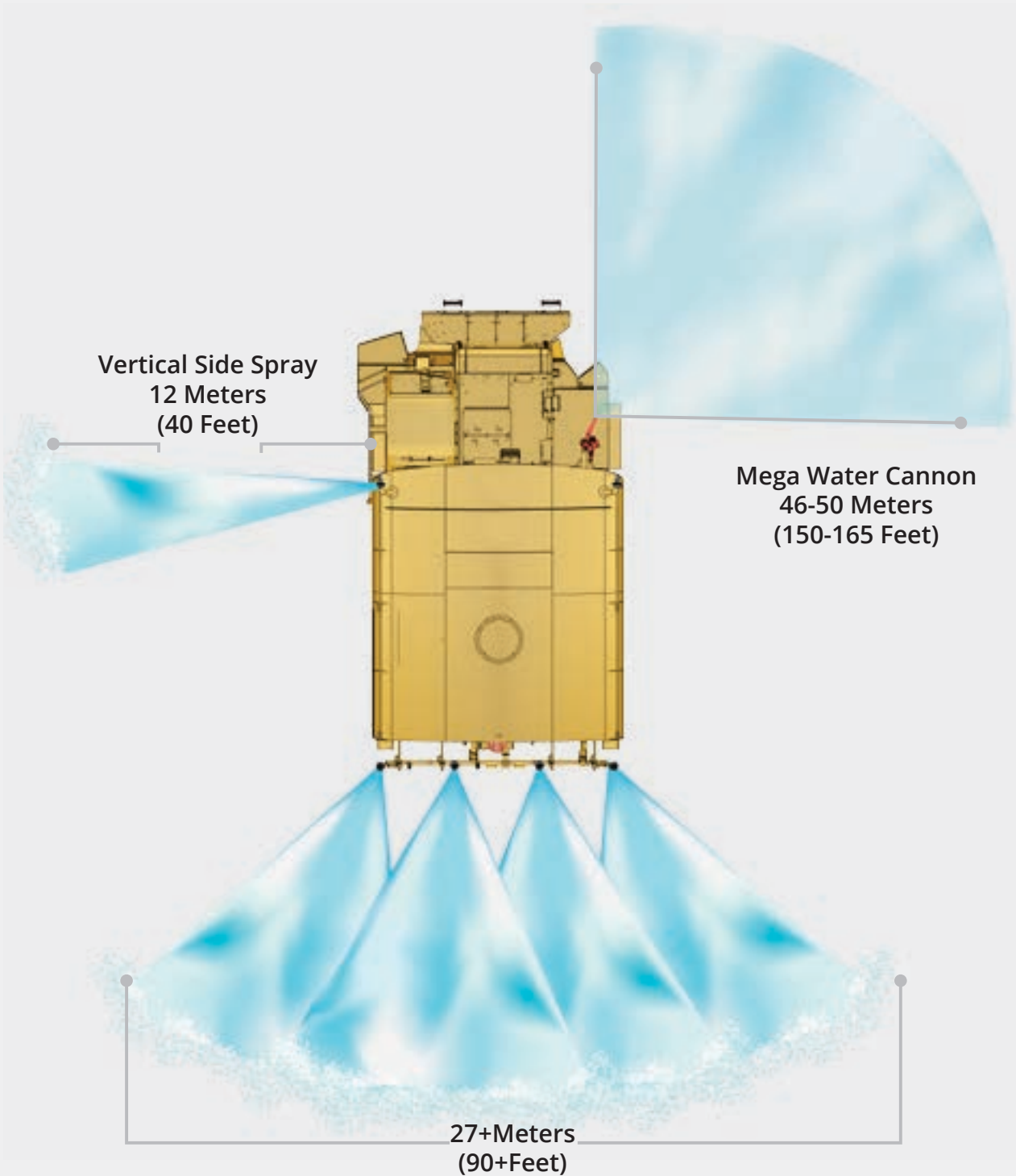




Spray Capability

Mega spray head valves are fully adjustable for fan width, volume and direction. When combined with swivels on the spray bar, fan direction can be adjusted in two axis. Mega spray heads provide a consistent flat fan

spray over a very wide area. One or two spray heads are capable of suppressing dust on a road up to 27 meters (90 feet) wide.





Factory Installation

Factory Installation

Mega offers complete factory installation for some models of rigid frame water tanks. Factory installation includes complete testing prior to delivery. Mega can also provide complete cleaning, painting and detailing of a customer-supplied used chassis if desired.

NOTE: Size restrictions apply.



Other Options



Hose Reel - Manual Rewind

Hose reels installed on Mega MTT/MWT models include high quality rubber water hose rated to 827 kPa (120 psi) and an adjustable fog to stream nozzle. Manual rewind reels are rim wind type and available with either 25 mm (1.0 in.) or 38 mm (1.5 in.) diameters hose in either 15 meters (50 feet) or 30 meters (100 feet) lengths.



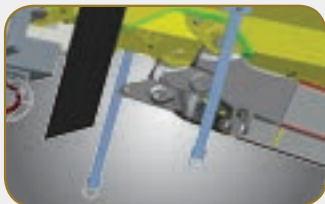
Hose Reel - Hydraulic Rewind

The hydraulic hose reel features a hydraulic drive power rewind reel and is available with a 38 mm (1.5 in.) diameter hose in either 15 meters (50 feet) or 30 meters (100 feet) lengths. **(Not available with pneumatic spray control system).**



Splash Guard

The splash guard is designed to inhibit water from splashing onto the tractor deck and cab area. This feature is located near the front edge of the tank and stands 203 mm (8 in.) above the top surface of the tank.



Rock Ejectors

Properly located brackets and ejector bars to remove rocks stuck between the rear dual tires.



Conical Fill Port

The Mega conical fill port is a funnel shaped from a 1524 mm (60 in.) diameters to 914 mm (36 in.) diameters standing 610 mm (24 in.) tall. This allows for easier location of the water fill pipe sock over the main fill port of the tank.

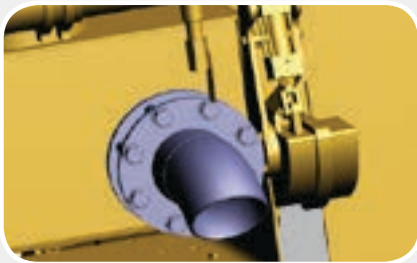
Tank Dump Options



Dump Bar

A dump bar (sometimes called a “drip” or “dribble bar”) is a horizontally arranged 102 mm (4 in.) diameter steel pipe that is drilled along its bottom center line with rows of holes. The dump bar can be either pressurized or non-pressurized. Pressurized dump bars spray penetrating jets of water directly onto the ground surface the width of the tank.

Non pressurized dump bars are gravity fed directly from the bottom of the water tank. An advantage of this tool is that water can be applied for dust suppression even in the event that the water pump is out of service.



Dump valve – Remote Operation

The quick dump option is a large drain located at the bottom rear of the tank. This option is available either manually or hydraulically actuated in 203 mm (8 in.) diameter.

Spray Head Valve Options

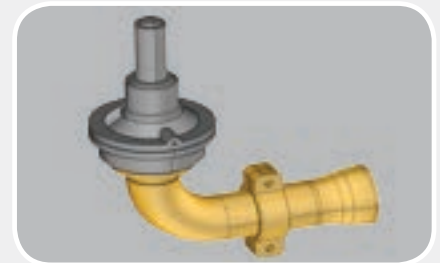
Vertical Side Spray

Two spray head valves are mounted on the front quadrant of the tank with internal piping for spraying vertical fans of water. This spray is suitable for spraying hill sides, piles, and berms. Available with hydraulic or pneumatic spray heads.



Swivel Couplings on Rear Spray Bar

The standard Mega MTT/MWT rear spray bar incorporates four Genuine Mega spray head valves. Each spray head rotates 360 degrees horizontally to adjust water spray fan direction. Optional swivels on each spray head allow for vertical spray direction adjustment.



Intermittent Spray Package

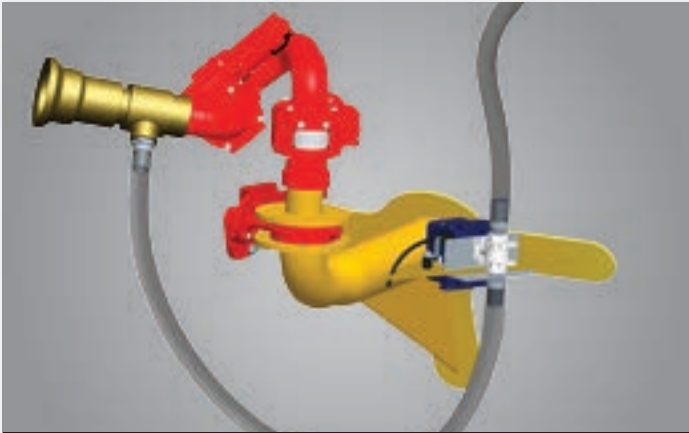
Intermittent spray is a spray control option on the cab control console that allows for independent spray-on and spray-off timing when wet/dry patch watering is desired. When activated the intermittent spray control will automatically actuate any spray head that is turned on.

NOTE: This Option is Standard with the DiSCS system.





Mega Water Cannon



Genuine Mega Water Cannon
(Shown with Butterfly Valve & Adjustable Nozzle)

Mega water cannons are designed for severe duty operation. Standard features include: stainless steel waterways, permanently lubricated, planetary and worm gear drives, ultra heavy-duty hydraulic drive motors. Mega water cannons, controlled by an in-cab joystick, have very smooth travel and can be easily fitted with various adjustable nozzles.

All Mega Water Cannons feature 64mm (2.5 in.) diameters stainless steel waterways and a unique permanently lubricated, swivel joint design.

Mega Water Cannons are available in hydraulic drive and electric drive. We also offer a manually operated Mega Water Cannon suitable for both stationary and mobile applications.

Mega Hydraulic Water Cannon

Hydraulic drive motors provide the highest durability and very smooth travel. Our water cannon solenoid control module is dependable and easily serviced. Adding an adjustable nozzle is as easy as connecting the nozzle and control lines.



Foam Agent Suppression System



A foam agent system consists of a 227 or 454 Liters (60 to 120 gallons) stainless steel foam agent reservoir imbedded into the main water tank. This option also includes the following:

- Straight bore nozzle
- Foam nozzle
- Cab controls for cannon operation
- Fog-to-stream adjustment

NOTE: Foam agent system requires selection of water cannon option.

Nozzles (For Specialty Mega Water Cannon)

Standard Straight Smooth Bore Nozzles



Standard Straight Bore With Built-In Stream Shaper

- Single stream
- Built in stream shaper straightens water flow & increases distance lower pressure water pump systems
- 63 mm (2.5 inches) NH connection



Short Stream Shaper

- Increases performance of straight bore nozzles
- Shapes water stream to produce efficient flow
- Increases reach

Performance Enhancements



Long Stream Shaper

- Increases performance of straight bore nozzles
- Shapes water stream to produce the most efficient flow
- Maximizes reach

Hydraulically Adjustable Nozzles



Fog To Stream

- Hydraulic Adjustment
- Variable Fog Fan Pattern
- 150 feet stream reach



Fog To Stream With Foam Education (Requires foam agent system)

- Hydraulic Adjustment
- Variable Fog Pattern
- 150 feet stream reach
- Adjustable fog pattern with foam (1, 3 and 6% proportioning)
- System does not include foam agent



Hoist Cylinder Compatibility



Hoist compatibility allows the tank to be raised for service access to the drive train and hydraulic components. Some options such as hose reel, suction loading, etc. may require removal to raise tank to full hoist cylinder extension.

NOTE: Not available for tanks mounted on electric trucks. Tank must only be raised when empty.

Corrosion Resistant Features

Mega Corp. offers solutions to tank corrosion caused by the harsh waters often found in mining environments. Protecting your tank against corrosion adds longevity and dependability to your purchase.

EPOXY Tank Lining

Tank interior is blasted and fully coated with two-part epoxy, engineered for immersion service in tanks. *

Moisture Cure Urethane Tank Lining

Tank interior is coated with aluminum-filled moisture cure urethane. *

Corrosion Resistance Package

This package is suitable for severe environments where corrosive waters are sprayed. The package consists of:

- Stainless steel spray head valves
- Corrosion resistant Mega M4B water pump with stainless steel waterways
- Stainless steel spray bar and waterways
- Stainless steel solenoid control module enclosure mounted on front bulkhead of tank

*** NOTE: Coating data sheet and MSDS available upon request.**

GENUINE MEGA.



GLOBAL SUPPORT

Quick Change Component Package

Out in the field? Need parts? The quick change component package provides the end user with specific operation critical parts for the Mega water tank spray system. Having these parts on hand can reduce downtime by eliminating wait time for acquiring replacement parts. These kit parts can be customized to an end user's needs and water tank fleet. Contact your Mega dealer for complete parts kit list and details or contact your Mega sales representative at 1-800-345-8889 for more information.



Parts and Product Support available 24 hours a day, seven days a week.

Mega's product support team provides full-time technical support including parts sales, on-site field assistance training and after-hours emergency parts service. Mega maintains a complete inventory of repair and maintenance parts for all of its products including parts, accessory kits, and support packages for immediate shipment. Call today for more information on ordering parts or visit our website:



www.megacorpinc.com



Se Habla Español!

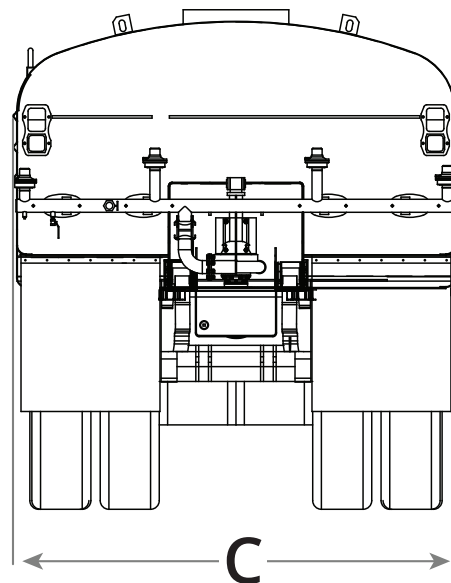
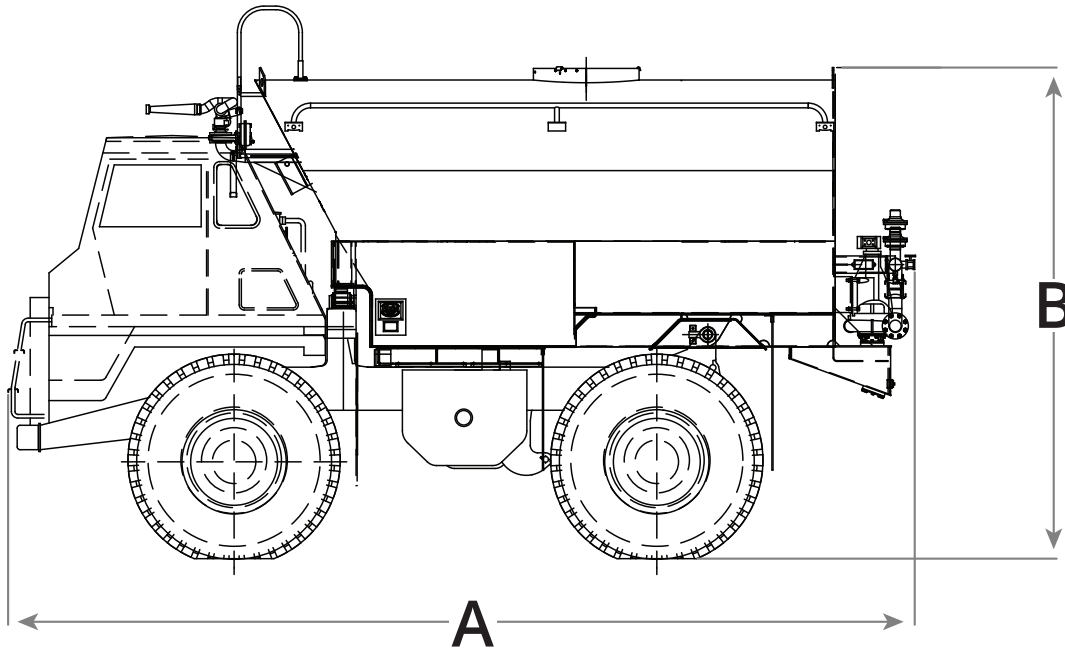
Product Support Contact:

Office Direct 505.345.2661 • U.S. 1.800.345.8889 • After Hours & Weekend 505.506.1806



MTT9		769 Rigid Frame Truck Tank MTT/MWT9 – 34,065 Liters (9,000 gallons)	
A	Overall Length	7,953.53 mm	313.13 in
B	Overall Height	4,308.43 mm	169.62 in
C	Overall Width	3,912.51 mm	154.04 in
	Tank Kit Weight	9,072 kg	20,000 lbs
	Tank Only Overall Length	6,118 mm	240.87 in
	Tank Only Overall Height	3,032 mm	119.36 in
	Tank Only Overall Width	3,875 mm	152.54 in

All weights and dimensions are subject to change.



MTT/MWT9

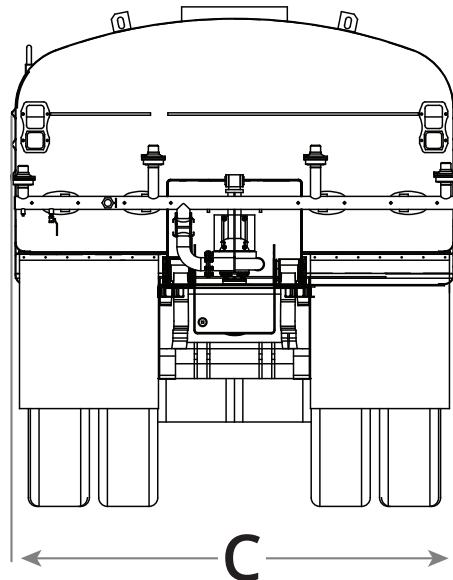
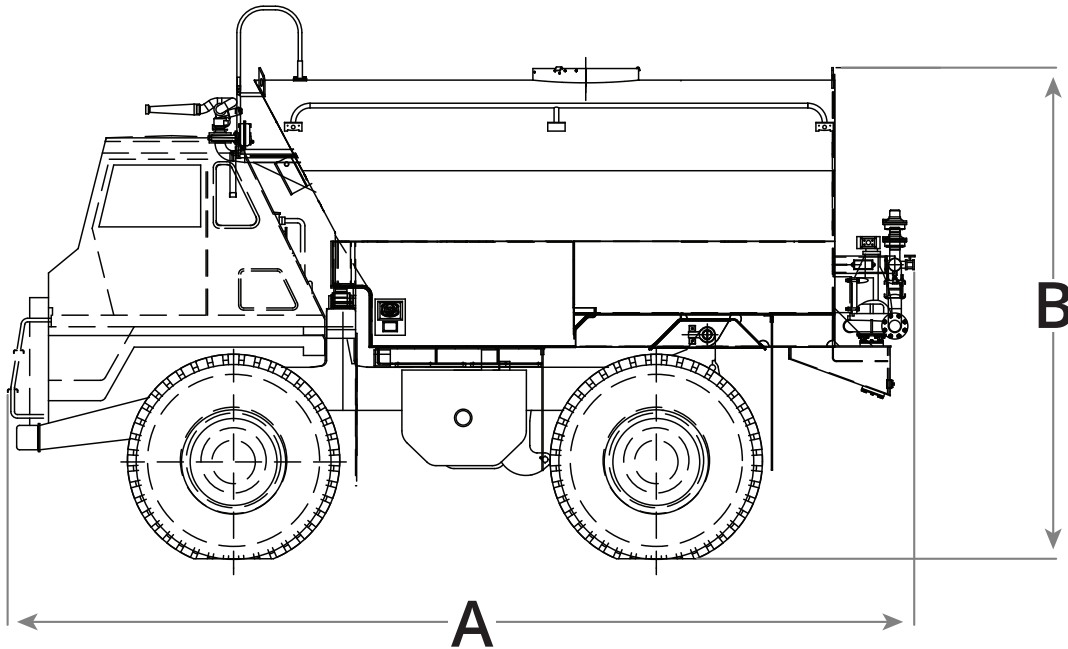


**770 Rigid Frame Truck Tank
MTT/MWT9 – 34,065 Liters
(9,000 gallons)**



A	Overall Length	8,623.08 mm	339.49 in
B	Overall Height	4,366.62 mm	171.91 in
C	Overall Width	3,912.51	154.04 in
	Tank Kit Weight	9,072 kg	20,000 lbs
	Tank Only Overall Length	5,464 mm	215.12 in
	Tank Only Overall Height	2,842 mm	111.89 in
	Tank Only Overall Width	3,913 mm	154.04 in

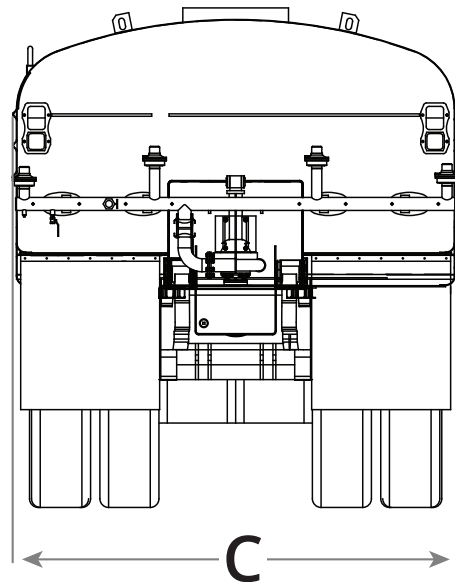
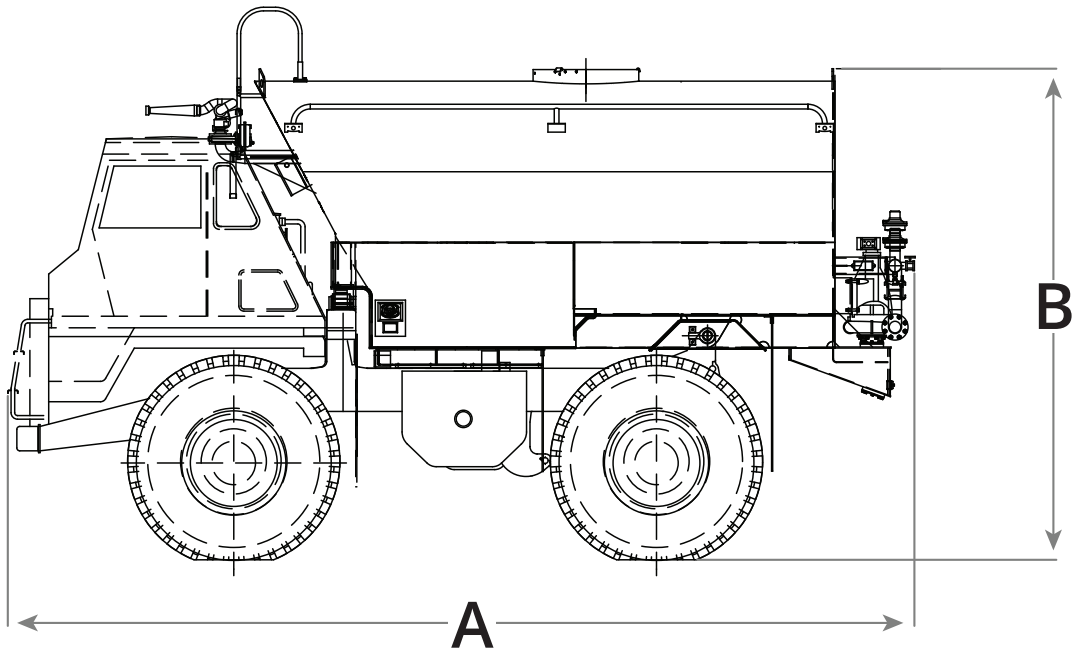
All weights and dimensions are subject to change.





MTT/MWT13		773 Rigid Frame Truck Tank MTT/MWT13 - 49,205 Liters (13,000 gallons)	
A	Overall Length	10,352.92 mm	407.60 in
B	Overall Height	5,194.48 mm	204.51 in
C	Overall Width	4,648.71 mm	183.02 in
	Tank Kit Weight	12,247 kg	27,000 lbs
	Tank Only Overall Length	7,767 mm	305.82 in
	Tank Only Overall Height	3,315 mm	137.59 in
	Tank Only Overall Width	4,610 mm	181.51 in

All weights and dimensions are subject to change.



MTT/MWT15

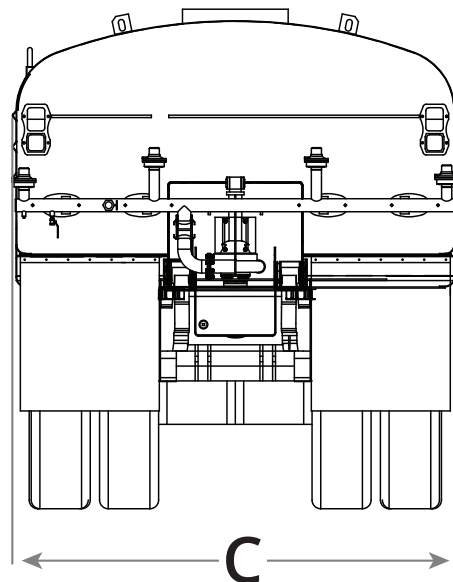
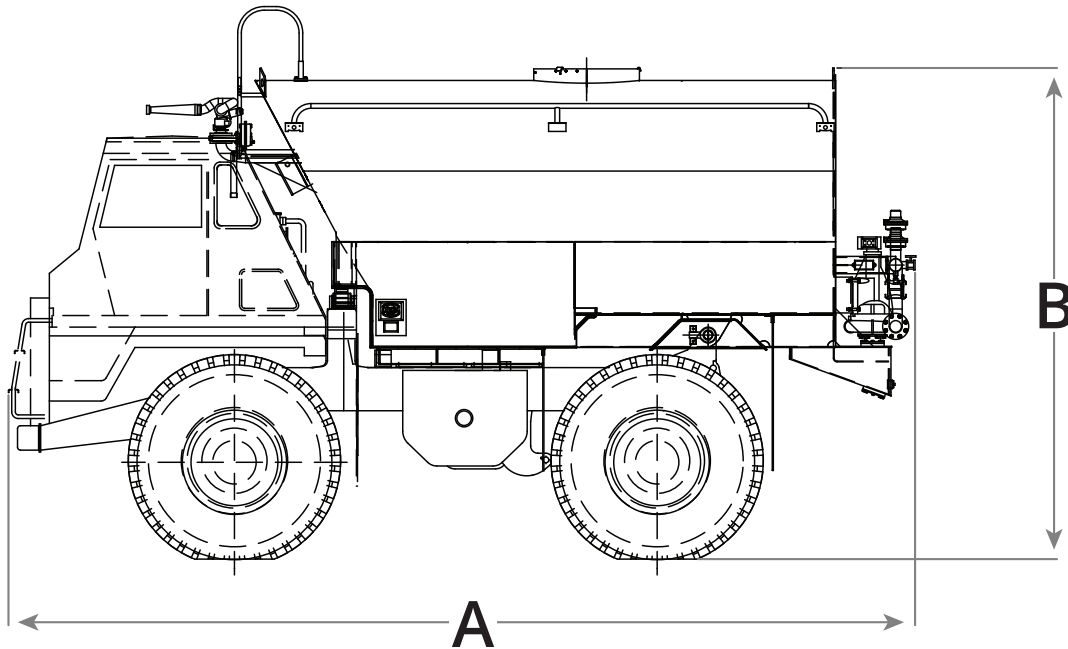


**775 Rigid Frame Truck Tank
MTT/MWT15 – 56,775 Liters
(15,000 gallons)**



A	Overall Length	10,311.63 mm	405.97 in
B	Overall Height	5,496.64 mm	216.40 in
C	Overall Width	4,610.61 mm	181.52 in
	Tank Kit Weight	12,247 kg	27,000 lbs
	Tank Only Overall Length	7,686 mm	302.61 in
	Tank Only Overall Height	3,315 mm	130.52 in
	Tank Only Overall Width	4,648 mm	183 in

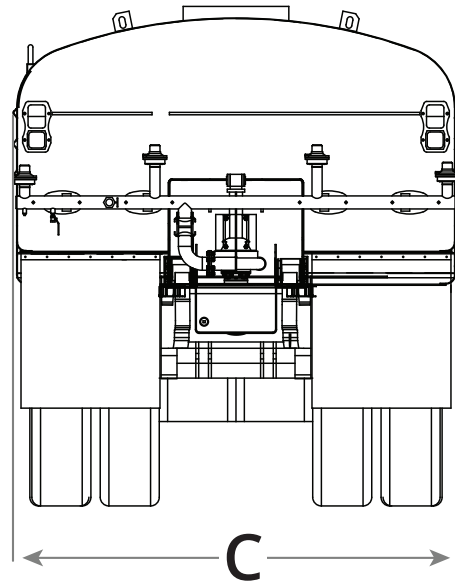
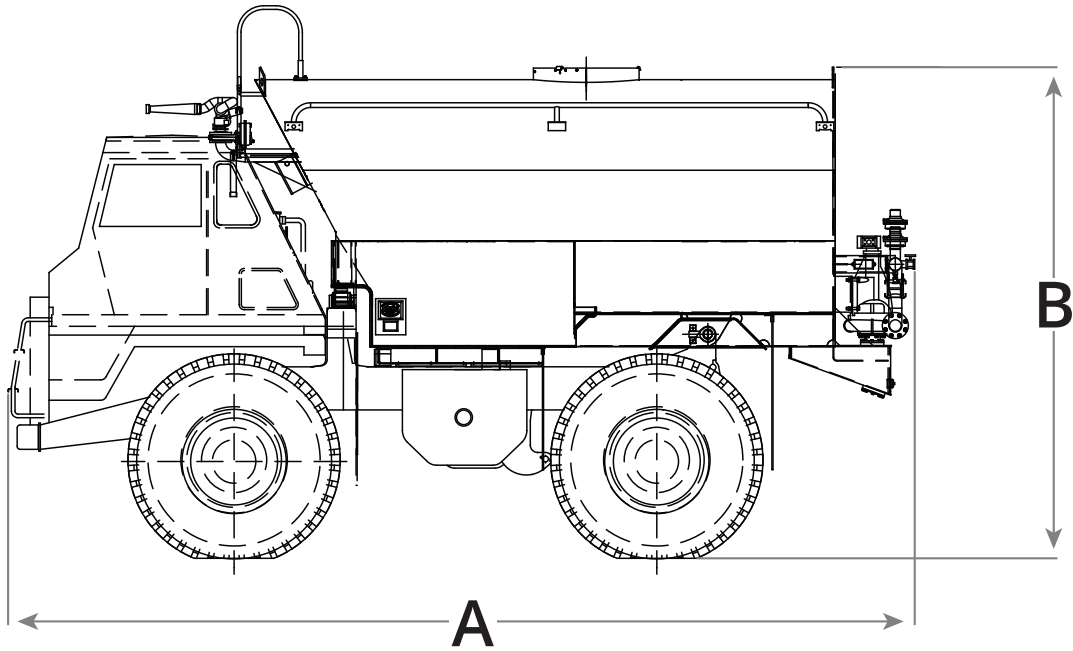
All weights and dimensions are subject to change.






MTT/MWT20		777 Rigid Frame Truck Tank MTT/MWT20 - 75,700 Liters (20,000 gallons)	
A	Overall Length	10,284.71 mm	404.91 in
B	Overall Height	6,477.89 mm	255.03 in
C	Overall Width	5,562.91 mm	219.01 in
	Tank Kit Weight	18,144 kg	40,000 lbs
	Tank Only Overall Length	7,895 mm	310.81 in
	Tank Only Overall Height	3,648 mm	143.62 in
	Tank Only Overall Width	5,538 mm	218.02 in

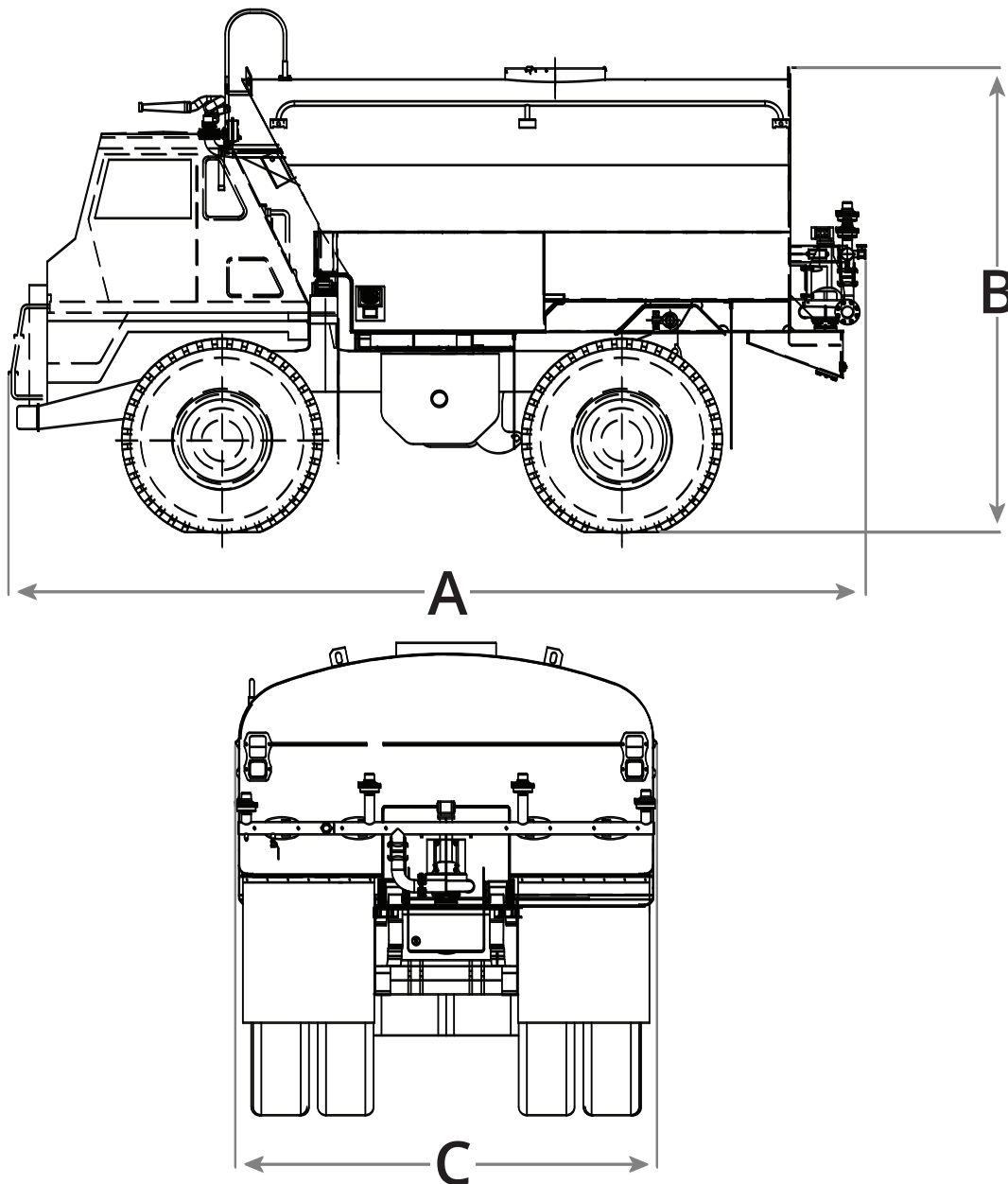
All weights and dimensions are subject to change.



MTT/MWT30		 <p>785 Rigid Frame Truck Tank MTT/MWT30 - 113,550 Liters (30,000 gallons)</p>	
A	Overall Length		
B	Overall Height	6,710.67 mm	264.20 in
C	Overall Width	6,700.14 mm	263.78 in
	Tank Kit Weight	31,298 kg	69,000 lbs
	Tank Only Overall Length	9,131 mm	359.61 in
	Tank Only Overall Height	3,753 mm	147.87 in
	Tank Only Overall Width	6,686 mm	263.78 in



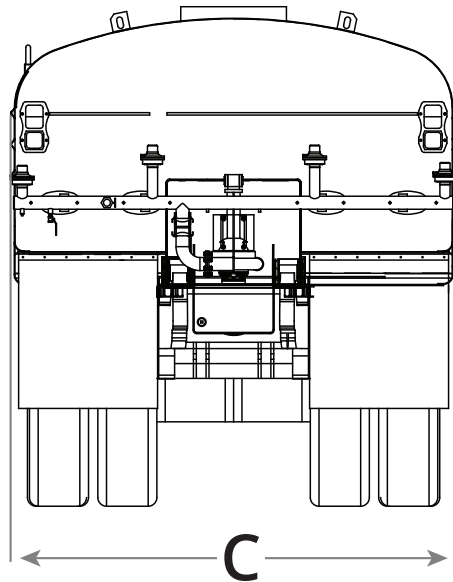
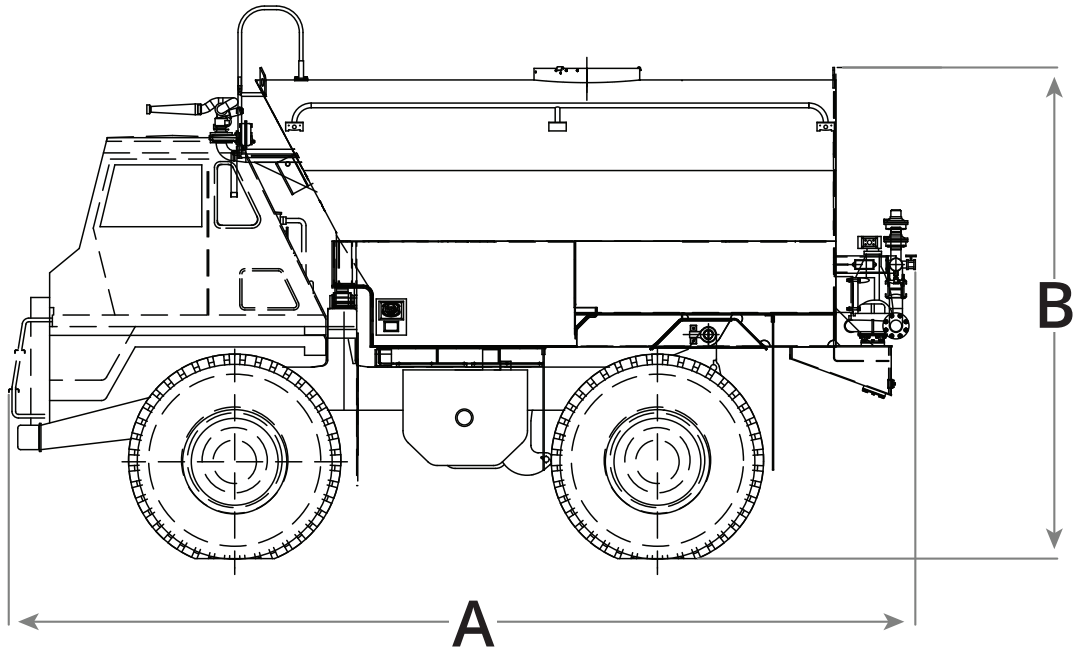
All weights and dimensions are subject to change.





MTT42		789 Rigid Frame Truck Tank MTT/MWT42 - 158,970 Liters (42,000 gallons)	
A	Overall Length	18,118 mm	467.75 in
B	Overall Height	6,832 mm	268.96 in
C	Overall Width	7,062 mm	278.02 in
	Tank Kit Weight	36,287 kg	80,000 lbs
	Tank Only Overall Length	9,007 mm	354.63 in
	Tank Only Overall Height	4,272 mm	168.19 in
	Tank Only Overall Width	7,017 mm	276.25 in

All weights and dimensions are subject to change.



MTT/MWT52

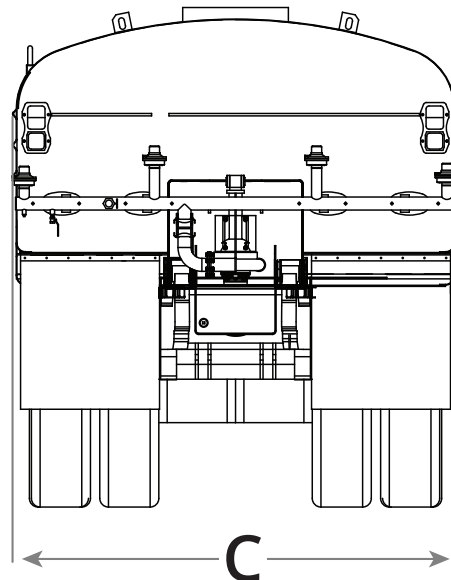
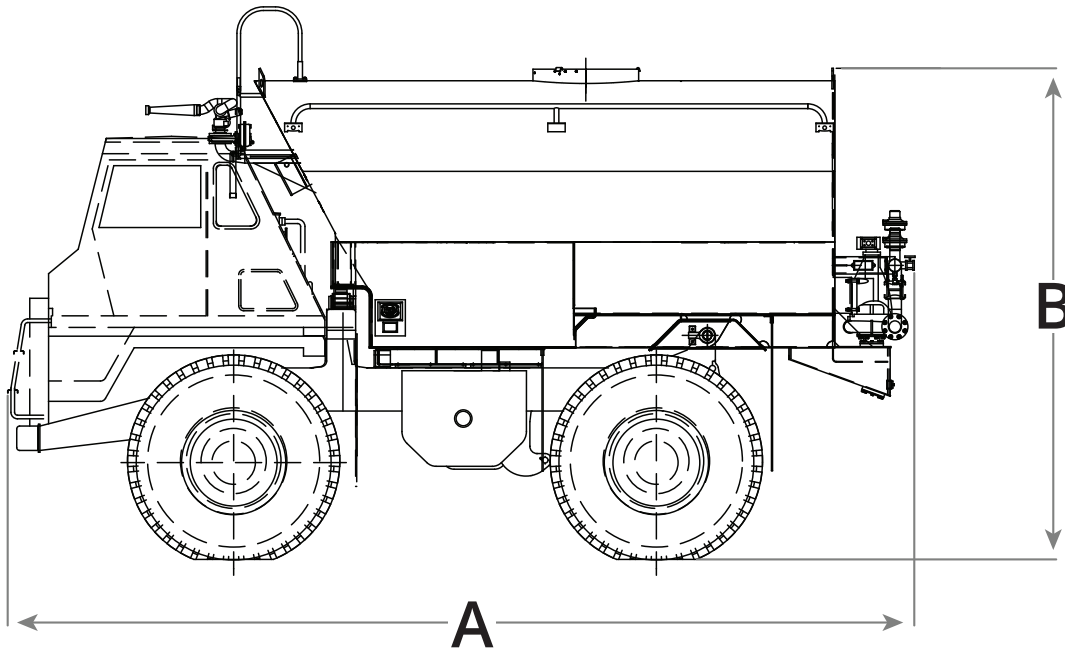


**793 Rigid Frame Truck Tank
MTT/MWT9 – 196,820 Liters
(52,000 gallons)**



A	Overall Length	12,691 mm	499.66 in
B	Overall Height	7,383 mm	290.68 in
C	Overall Width	7,303 mm	287.50 in
	Tank Kit Weight	52,163 kg	115,000 lbs
	Tank Only Overall Length	10,158 mm	399.93 in
	Tank Only Overall Height	4,731 mm	186.26 in
	Tank Only Overall Width	7,302 mm	287.50 in

All weights and dimensions are subject to change.



Warranty Coverage For Your Mega Equipment

Protecting your investment.



Mega provides a full one year warranty, unlimited hours against defects in materials and workmanship.



STANDARD WARRANTY POLICY

Effective With Deliveries to the First User On or After March 1, 2008



Mega Corp. warrants its products against defects in material and workmanship for a period of twelve months from the time the unit is first placed into service unless stated otherwise below.

Mega Corp. does not warrant malfunctions and failure resulting from misuse, negligent operation, accident, or lack of performance of regular maintenance, repairs, modifications, or parts of maintenance items made in conjunction with normal maintenance services. In addition, wear, misuse, negligence, or related power failures such as needs or loading will not be covered.

Mega Corp. requires the customer to complete the 30-day break-in and break-in by Mega Corp. within 30 (thirty) days from the date the machine is placed into service. In addition, no service must begin no later than 1 year from receipt of the machine unless otherwise stated in the sales contract.

This warranty becomes null and void when the product is disassembled, altered, used, or in any way materially altered without prior written approval from Mega Corp.

Claims received under this warranty become the property of Mega Corp. All claims received must be returned to Mega Corp. freight prepaid.

Responsibilities

Mega Corp. Responsibilities

In a defect in material or workmanship, if found during the warranty period, Mega Corp. will:

- Provide (at Mega Corp.'s discretion) new, re-manufactured or Mega Corp.-approved repaired parts or assembled components needed to correct the defect.
- Repair (including oil, filters, and fluids) and other items made possible by the defect.
- Provide reasonable on-site labor needed to correct the defect, including labor for removal and installation when necessary to make the repair.

User/Customer Responsibilities

The User/Customer is responsible for:

- Contacting Mega Corp. for authorization prior to the repair.
- Providing Proof of the Delivery Date from the In-Sale Receipt to Mega Corp.
- The cost associated with transporting the product to wherever it will be placed in repair.
- Costs to investigate complaints, unless the problem is caused by a defect in Mega Corp.'s materials or workmanship.
- Labor costs except as stated under "Mega Corp. Responsibilities".
- Premium or overtime labor costs.
- Local taxes, if applicable.
- Giving timely notice of a warranty failure and promptly making the product available for repair.
- Performance of required maintenance and items required for normal use.
- Allowing Mega Corp. access to any electronics stored data relevant to the warranted product's application.

Special Coverage Limitations

Structural Failure

Structural failures are described as:

Cracking or wear or loss of metal structure not caused by damage or abuse.

Water leaks from tanks due to cracking or weld defect.

Kits For Field Installation

Mega products provided in kit form are covered for field assembly, installation, and use covered under the terms of this warranty with the following provisions:

Installation - Mega Corp. will provide a hard set of drawings for use with installation of products delivered in kit form. These drawings are intended to assist the dealer/customer with installation. Mega Corp. Product Support may be contacted for additional assistance if required. Charges may apply for this service.

Parts - Mega Corp. guarantees that all Mega supplied parts required for field installation will be in the field installation parts kit. There may be parts that are expected to be supplied by the customer to complete installation. Mega Corp. supplied parts will be delivered on the installation drawings. Packing lists are supplied with all kits. The customer is responsible for notifying Mega Corp. of missing or damaged parts upon receipt. Signed copies of the packing lists confirming receipt of all parts must be returned to Mega Corp. within 15 days of receipt of parts to maintain the coverage.





GENUINE MEGA.



MAC6 CAT730

Specialty Haulage Solutions For Construction & Mining



MMP4



MSC8 CAT621H



MPT12

✓ **CATERPILLAR® INTEGRATION**

Fully integrated hydraulic and electronic systems.

✓ **OUTSTANDING PRODUCT SUPPORT**

Support parts in stock. Technical communicators on staff.

✓ **OEM COMPONENTS**

Mega uses CAT® axles, braking systems, & other components for seamless integration & serviceability.

✓ **ONLINE PARTS**

Mega dealers can order parts and access their account through our website.

www.megacorpinc.com

MEGA CORP.

700 Osuna Rd. N.E. • Albuquerque, NM 87113 • 1-800-345-8889 • 505-345-2661 • Fax 505-345-6190

CHECK US OUT ON THE WEB @ **WWW.MEGACORPINC.COM**

ONLINE PARTS ORDERING IS NOW AVAILABLE!



In response to customer requests, Mega has added online ordering capability to our website. Customers can browse through approximately 700 of our most commonly-ordered parts and place orders using both PO's and credit cards.

Customers will need to register on-line to access this service. Pricing on the web, including any applicable discounts and shipping, will be the same as if the order were placed via telephone. Along with parts ordering, Mega has refreshed the look and functionality of the website to improve its use. Check us out at: www.megacorpinc.com.



*Order
Parts!*



*Illustrated Parts
Breakdowns!*



*Go Online
TODAY!*



© 2014 Mega Corp. All rights reserved.
REV-02-2014

For more information please visit us
on the web at www.megacorpinc.com

MEGA Corp. and its respective logos as well as corporate and product identity used herein, are trademarks of Mega Corp. and may not be used without permission.

MEGA retains all copyrights in any text, graphic images, and content owned by MEGA Corp. and hereby authorizes you to electronically copy documents published herein solely for the purpose of transmitting or viewing the information.

You may not mirror, modify or otherwise alter any files for rebroadcast, or print the information contained therein, without written permission from MEGA Corp.

Materials and specifications are subject to change without notice. Featured machines in photos may include additional equipment. See your dealer for available options.