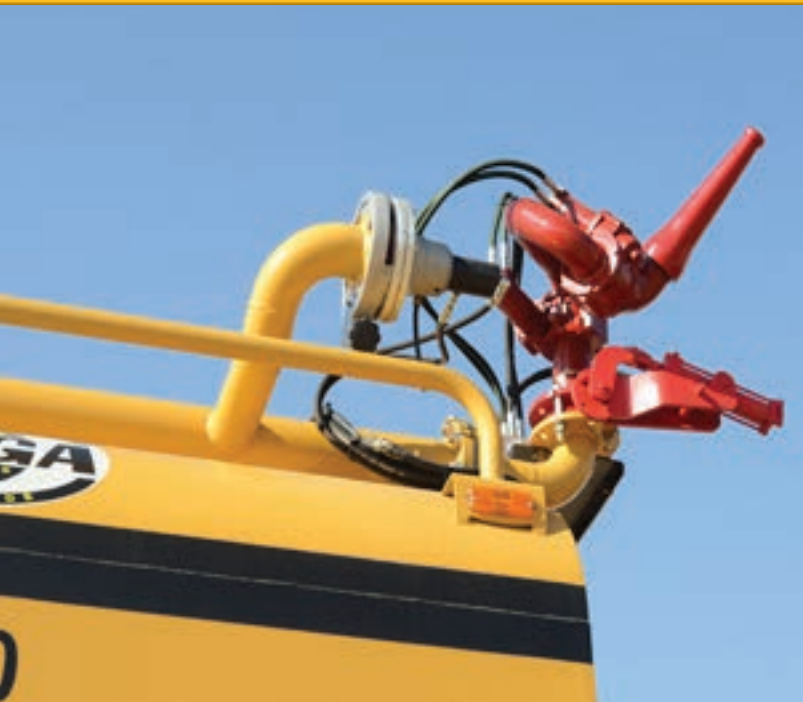




MTT/MAC/MSC/MST-IPB-3

SPECIALTY HAULAGE SOLUTIONS FOR CONSTRUCTION AND MINING

ILLUSTRATED PARTS BREAKDOWN



MEGA CORP.®
700 Osuna Rd. N.E. • Albuquerque, NM 87113 • 1-800-345-8889 • 505-345-2661 • Fax 505-345-6190
www.megacorpinc.com

® MEGA Corp., Inc. All Rights Reserved

TABLE OF CONTENTS

Page

SECTION 1	Water Pump & Hydraulic Motor Assembly	
	A. Mega M3 Water Pump – Direct Motor Mount	1-1
	B. Mega M3 Water Pump – 1.5 Inch, Plain Keyed	1-2
	C. Mega M4 Water Pump – Standard (Gen 3)	1-3
	D. Mega M4 Water Pump – Corrosion Resist. (Gen 3)	1-4
	E. Mega M4 Water Pump – Trimmed Impeller (Gen 3)	1-5
	F. Mega M-4B Water Pump – Rope Seal, Standard	1-6
	G. Mega M-4B Water Pump – Rope Seal, Corrosion Res.	1-7
	H. Mega M-4B Water Pump – Mech. Seal, Standard	1-8
	I. Mega M-4B Water Pump – Mech Seal, Corrosion Res.	1-9
	J. Cross-over Assembly, 1.5"	1-10
	K. Cross-over Assembly, 1.25"	1-11
	L. Hydraulic Drive Motors	1-12
SECTION 2	Spray Head Assembly	
	A. Spray Head, 3", Hydraulic (Stainless Steel)	2-1
	B. Spray Head, 3", Hydraulic (Anodized)	2-2
	C. Spray Head, 3", Hydraulic (Standard)	2-3
	D. Spray Head, 3", Pneumatic (Standard)	2-4
	E. Spray Head, 3", Pneumatic (Anodized)	2-5
SECTION 3	Water Cannon System	
	A. Water Cannon, Remote (Electric)	3-1
	B. Logic Box, Water Cannon (Electric)	3-2
	C. Water Cannon, Remote (Hydraulic)	3-3
	D. Control Valve Assembly, Hydraulic	3-4
	E. Butterfly Valve, 3" (Water Cannon)	3-5
	F. Nozzle, Straight Bore	3-6
	G. Stream Shaper, Short (Straight Bore Only)	3-7
	H. Nozzle, Remote Adjustable (Fan Pattern)	3-8
	I. Nozzle, Remote Adjustable (Fog Pattern)	3-9
	J. Nozzle, Remote Adj., Foam (Fog Pattern)	3-10
SECTION 4	Controls and Indicating Systems	
	A. Cab Controls, Analog (Standard)	4-1
	B. Cab Controls, Analog (Coffin Style)	4-2
	C. Cab Controls (Step Style)	4-3
	D. Cab Controls, Digital	4-4
	E. Water Level System (Analog)	4-5
	F. Water Level System (Digital)	4-6
	G. Solenoid Control Box, Hydraulic (Analog)	4-7
	H. Solenoid Control Box, Hydraulic (Digital)	4-8
	I. Solenoid Control Box, Pneumatic (Typical)	4-10
	J. 3-Way Hydraulic Control Valve	4-11
	K. Pneumatic Pump Activation Assembly	4-12
SECTION 5	Butterfly Valves (BFV)	
	A. Butterfly Valve, 4" (Dump Bar)	5-1
	B. Butterfly Valve, 5" (Tank Drain)	5-2
	C. Butterfly Valve, 8" (Tank Drain)	5-3
SECTION 6	Miscellaneous	
	A. Lights	6-1
	B. Hose Reel, 1.5" (100' or 50' Hose)	6-2
	C. Valve, Shut-Off, Water	6-3
	D. Coupling, Pipe, Water	6-4
	E. Mud Flaps	6-5
	F. Fire Suppression System	6-6

TABLE OF CONTENTS

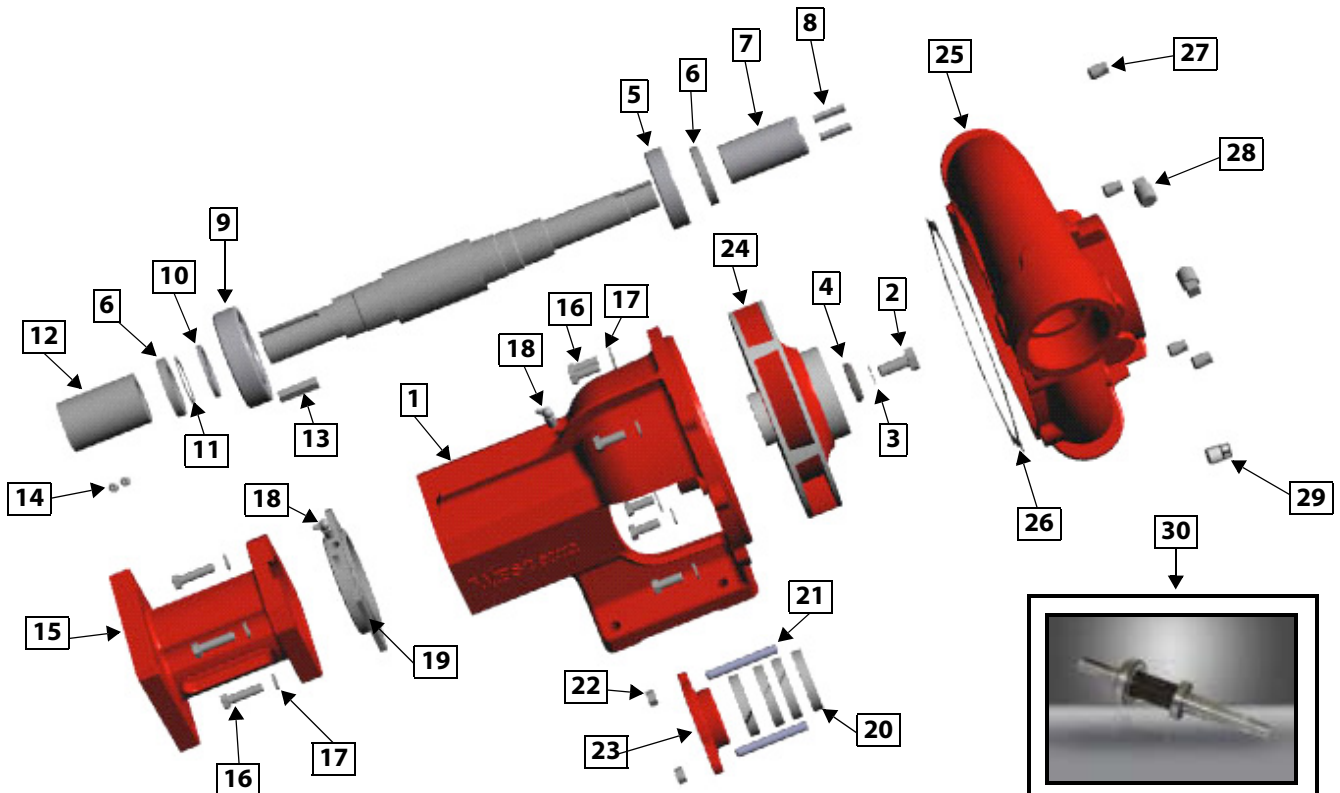
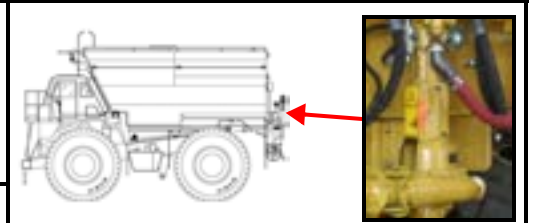
SECTION 1

Water Pump & Hydraulic Motor Assembly

MEGA M3 WATER PUMP – DIRECT MOTOR MOUNT

PART NO. 304985

- Clockwise Rotation
- 4 inch NPT Inlet
- 3 inch NPT Outlet
- 9 inch Impeller





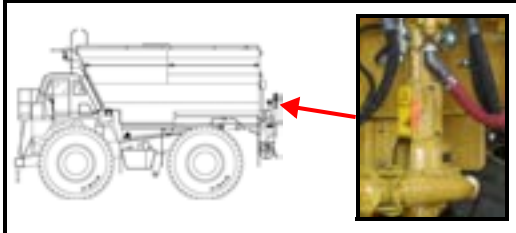
Shaft Kit – 304955
Items: 5, 7, 8, 10, 11, 12

ITEM	PART NO	DESCRIPTION	QTY	SPARE PART
	304954	M3 Water Pump-CW, Direct Motor Mount		
1	304984	Bracket, M3 Pump	1	X
2	304972	Bolt, Impeller, M3 Pump	1	X
3	304971	Washer, Lock, Impeller, M3 Pump	1	X
4	304970	Washer, Impeller, M3 Pump	1	
5	304959	Bearing, Impeller Side, M3 Pump	1	X
6	304960	Seal, Grease, M3 Pump	2	X
7	304961	Sleeve, Wear, Shaft, M3 Pump	1	X
8	304962	Key, Impeller, M3 Pump	2	X
9	304956	Bearing, Drive Side, M3 Pump	1	X
10	304958	Ring, Thrust, M3 Pump	1	
11	304957	Retainer, Snap Ring, M3 Pump	1	X
12	305102	Hydraulic Shaft Coupler, M3 Pump	1	X
13	305101	Key, Coupling, M3 Pump	1	X
14	305107	Set Screw, Coupling, M3 Pump	2	
15	304981	Hydraulic Motor Mount, C-fit, M3 Pump	1	
16	350146	Bolt, 3/8 inch-16 x 1.25 inch, M3 Pump	12	
17	350016	Washer, 3/8 inch, M3 Pump	12	
18	304968	Grease Fitting, 1/8 inch, M3 Pump	2	
19	304983	Bearing Cap, M3 Pump	1	
20	304967	Packing, 3/8 inch, Set of 4 Rings, M3 Pump	1	X

ITEM	PART NO	DESCRIPTION	QTY	SPARE PART
21	304966	Stud, Packing Gland, M3 Pump	2	X
22	304757	Nut, Packing Gland, M3 Pump	2	X
23	304969	Packing Gland (Pair), M3 Pump	1	X
24	304974	Impeller CCW, M3 Pump	1	
25	304975	Volute Case, CCW, M3 Pump	1	
26	304973	Seal, Volute Gasket, M3 Pump	1	X
27	350850	Plug, 1/4 inch, NPT, M3 Pump	4	
28	350852	Plug, 1/2 inch, M3 Pump	2	
29	300460	Petcock Drain, 1/2 inch, M3 Pump	1	
30	304955	Shaft Kit Assembly, M3 Pump	1	X

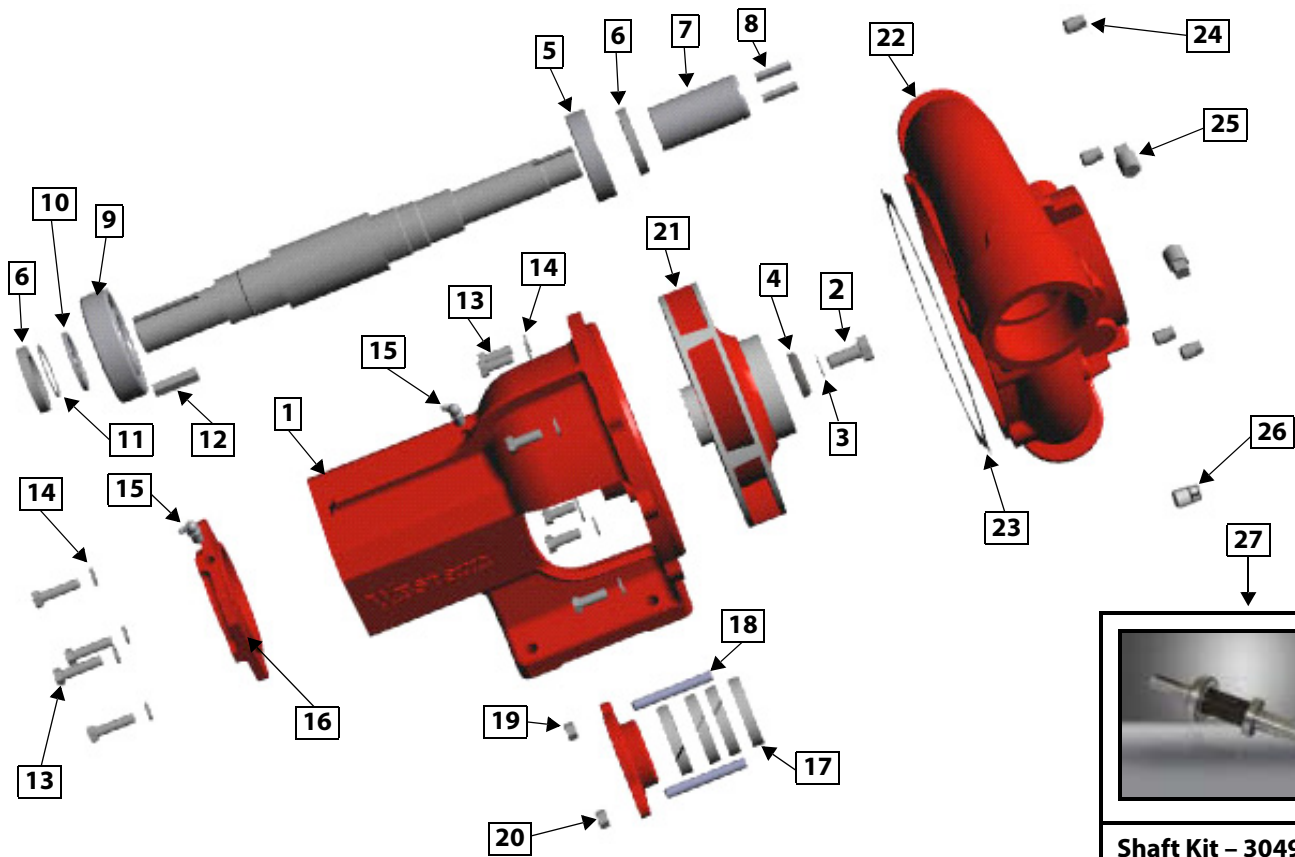
SECTION 1

Water Pump & Hydraulic Motor Assembly



MEGA M3 WATER PUMP – 1.5 INCH, PLAIN KEYED
PART NO. 304953

- Clockwise Rotation
- 4 inch NPT Inlet
- 3 inch NPT Outlet
- 9 inch Impeller





Shaft Kit – 304955
 Items: 5, 7, 9, 10, 11

ITEM	PART NO	DESCRIPTION	QTY	SPARE PART
	304953	M3 Water Pump-CW,Plain Keyed 1.5 inch Diameter Shaft	1	
1	304984	Bracket, M3 Pump	1	
2	304972	Bolt, Impeller, M3 Pump	1	X
3	304971	Washer, Lock, Impeller, M3 Pump	1	X
4	304970	Washer, Impeller, M3 Pump	1	X
5	304959	Bearing, Impeller Side, M3 Pump	1	
6	304960	Seal, Grease, M3 Pump	2	X
7	304961	Sleeve, Wear, Shaft, M3 Pump	1	X
8	304962	Key, Impeller, M3 Pump	2	X
9	304956	Bearing, Drive Side, M3 Pump	1	X
10	304958	Ring, Thrust, M3 Pump	1	
11	304957	Retainer, Snap Ring, M3 Pump	1	X
12	305101	Key, Coupling, M3 Pump	1	X
13	350146	Bolt, 3/8 inch-16 x 1.25 inch, M3 Pump	12	
14	350016	Washer, 3/8 inch, M3 Pump	12	
15	304968	Grease Fitting, 1/8 inch, M3 Pump	2	
16	304983	Bearing Cap, M3 Pump	1	
17	304967	Packing, 3/8 inch, Set of 4 Rings, M3 Pump	1	X
18	304966	Stud, Packing Gland, M3 Pump	2	X

ITEM	PART NO	DESCRIPTION	QTY	SPARE PART
19	304757	Nut, Packing Gland, M3 Pump	2	X
20	304969	Packing Gland (Pair), M3 Pump	1	X
21	304965	Impeller CCW, M3 Pump	1	
22	304963	Volute Case, CCW, M3 Pump	1	
23	304973	Seal, Volute Gasket, M3 Pump	1	X
24	350850	Plug, 1/4 inch, NPT, M3 Pump	4	
25	350852	Plug, 1/2 inch, M3 Pump	2	
26	300460	Petcock Drain, 1/2 inch, M3 Pump	1	
27	304955	Shaft Kit Assembly, M3 Pump	1	X

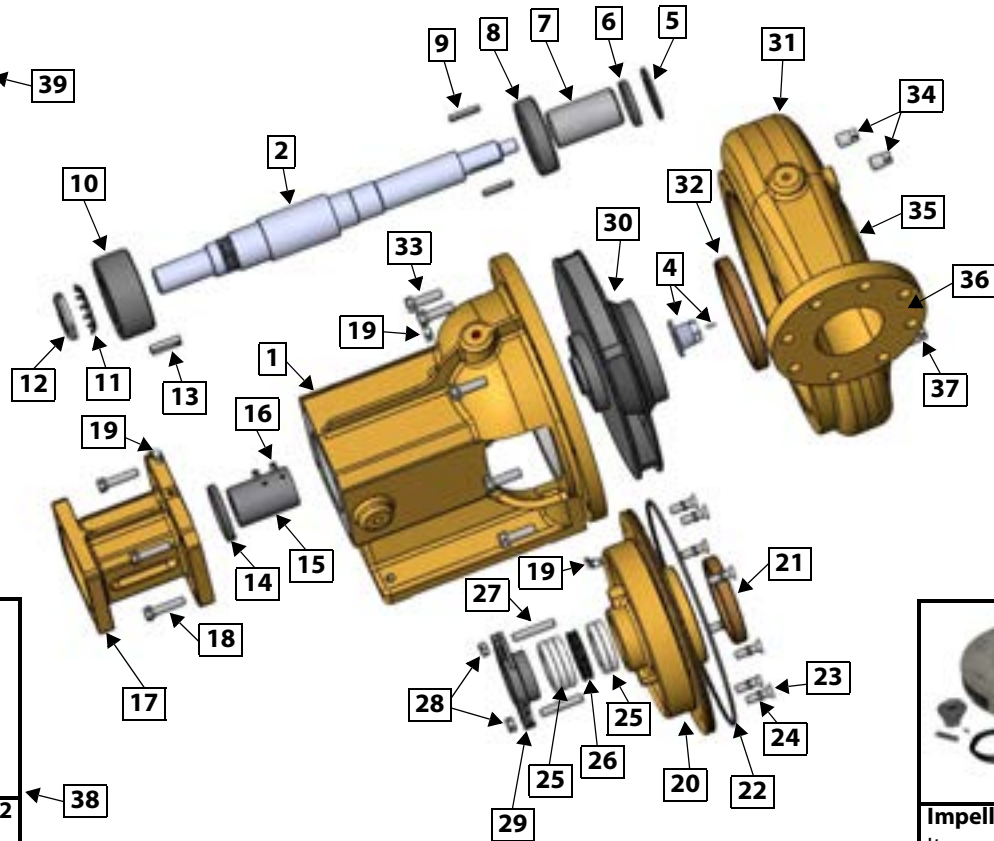
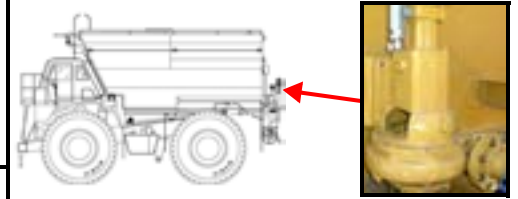
SECTION 1

Water Pump & Hydraulic Motor Assembly

MEGA M4 WATER PUMP - STANDARD (GEN 3)

PART NO. 304991

- Clockwise Rotation
- 6 inch Inlet
- 4 inch Discharge
- 13 inch Impeller

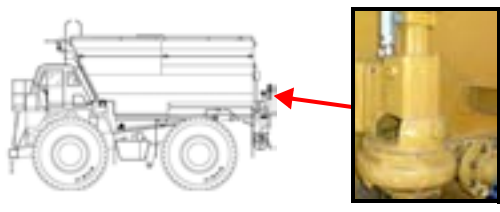


ITEM	PART NO	DESCRIPTION	QT Y	SPARE PART
	304991	MEGA M4 Pump Assembly-Standard		
1	305097	Bracket, M4 Pump	1	
2	305628	Shaft, Carbon Steel, M4 Pump	1	X
3	044583	Drill Guide, Impeller Nut, M4 Pump	1	X
4	305627	Nut Impeller, M4 Pump	1	X
5	305100	Water Slinger, M4 Pump	1	X
6	304960	Seal, Grease, Impeller Side, M4 Pump	1	X
7	305096	Sleeve, Wear, Shaft, M4 Pump	1	X
8	304956	Bearing, Impeller Side M4 Pump	1	X
9	305106	Key, Impeller, M4 Pump	2	X
10	305108	Bearing, Drive Side, M4 Pump	1	X
11	305631	Washer, Tab, Bearing Retainer, M4 Pump	1	X
12	305630	Nut, Shaft, M4 Pump	1	X
13	305101	Key, Shaft Drive End, M4 Pump	1	X
14	305113	Seal, Grease, Drive Side, M4	1	X
15	305102	Coupling, Shaft to Motor, M4 Pump	1	X
16	305107	Set Screw, Coupling, M4 Pump	2	X
17	305099	Mount, Hydraulic Motor, M4 Pump	1	
18	350149	Bolt, 3/8" x 2" GR 8, Motor Mount, M4 Pump	4	
19	304968	Grease Fitting, 1/8 inch, NPT	3	X
20	305094	Packing Mount, Standard, M4 Pump	1	

ITEM	PART NO	DESCRIPTION	QT Y	SPARE PART
21	305091	Wear Ring, Packing Mount, M4 Pump	1	X
22	305111	Seal, O-Ring, Volute, M4 Pump	1	X
23	305340	Bolt, Packing Mount, M4 Pump	8	X
24	305626	Cap Screw Nylite Seals, M4 Pump	8	X
25	305114	Packing 3/8 inch, Set of 5 Rings, M4 Pump	1	X
26	305112	Lantern Ring, M4 Pump	1	X
27	305105	Stud, Packing Gland, M4 Pump	2	X
28	305288	Nut, Packing Gland Flanged, M4 Pump	2	X
29	305098	Packing Gland (Pair), M4 Pump	1	X
30	305075	Impeller 13 inch Diameter, SS, M4 Pump	1	
31	305090	Volute Case, Standard Cast Iron, M4 Pump	1	
32	305092	Wear Ring, Volute, M4 Pump	1	X
33	350232	Bolt, 1/2" x 1 3/4" GR 8, Volute Case, M4 Pump	8	
34	350852	Plug, Volute, M4 Pump	3	X
35	302527	Inlet Flange Gasket, 6 inch, M4 Pump	1	X
36	012930	Outlet Gasket, 4 inch, M4 Pump	1	X
37	300460	Petcock Drain, M4 Pump	1	
38	305402	Packing Kit, M4 Pump	1	X
39	305403	Shaft Kit, Standard, M4 Pump	1	X
40	305404	Impeller Kit, M4 Pump	1	X

SECTION 1

Water Pump & Hydraulic Motor Assembly



MEGA M4 WATER PUMP – CORROSION RESIST. (GEN 3)
PART NO. 304992

- Clockwise Rotation
- 6 inch Inlet
- 4 inch Discharge
- 13 inch Impeller



Shaft Kit – 305405
Items: 2-16, 22-26



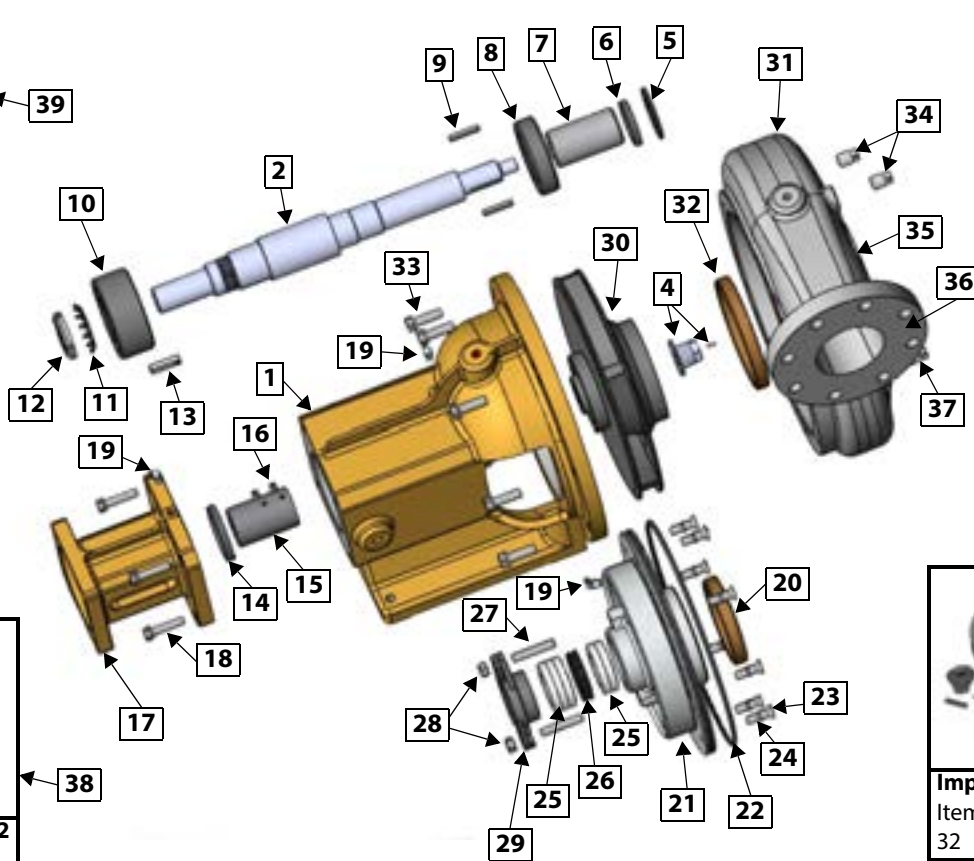
Impeller Nut Drill Guide – 044583



Packing Kit – 305402
Items: 25, 26



Impeller Kit – 305404
Items: 3, 4, 9, 20, 22, 30, 32



ITEM	PART NO	DESCRIPTION	QT Y	SPARE PART
	304992	Mega M4 Pump Assy – Corrosion Resistant		
1	305097	Bracket, M4 Pump	1	
2	305629	Shaft, Stainless Steel, M4 Pump	1	X
3	044583	Drill Guide, Impeller Nut, M4 Pump	1	X
4	305627	Nut, Impeller, W/ Roll Pin M4 Pump	1	X
5	305100	Water Slinger, M4 Pump	1	X
6	304960	Seal, Grease, Impeller Side, M4 Pump	1	X
7	305096	Sleeve, Wear, Shaft, M4 Pump	1	X
8	304956	Bearing, Impeller Side, M4 Pump	1	X
9	305106	Key, Impeller, M4 Pump	2	X
10	305108	Bearing, Drive Side, M4 Pump	1	X
11	305631	Washer, Tab, Bearing Retainer, M4 Pump	1	X
12	305630	Nut, Shaft, M4 Pump	1	X
13	305101	Key, Shaft Drive End, M4 Pump	1	X
14	305113	Seal, Grease, Drive Side, M4	1	X
15	305102	Coupling, Shaft to Motor, M4 Pump	1	X
16	305107	Set Screw, Coupling, M4 Pump	2	X
17	305099	Mount, Hydraulic Motor, M4 Pump	1	
18	350149	Bolt, 3/8" x 2" GR 8, Motor Mount, M4 Pump	4	
19	304968	Grease Fitting, 1/8 inch, NPT	3	X
20	305091	Wear Ring, Packing Mount, M4 Pump	1	X

ITEM	PART NO	DESCRIPTION	QT Y	SPARE PART
21	305118	Packing Mount, Stainless Steel, M4 Pump	1	
22	305111	Seal, O-Ring, Volute, M4 Pump	1	X
23	305340	Bolt, Packing Mount, M4 Pump	8	X
24	305626	Cap Screw Nyltite Seals, M4 Pump	8	X
25	305114	Packing 3/8 inch, Set of 5 Rings, M4 Pump	1	X
26	305112	Lantern Ring, M4 Pump	1	X
27	305105	Stud, Packing Gland, M4 Pump	2	X
28	305288	Nut, Packing Gland Flanged, M4 Pump	2	X
29	305098	Packing Gland (Pair), M4 Pump	1	X
30	305075	Impeller 13 inch Diameter, SS, M4 Pump	1	
31	305115	Volute Case, Stainless Steel, M4 Pump	1	
32	305092	Wear Ring, Volute, M4 Pump	1	X
33	350232	Bolt, 1/2" x 1 3/4" GR 8, Volute Case, M4 Pump	8	
34	350852	Plug, Volute, M4 Pump	3	X
35	302527	Inlet Flange Gasket, 6 inch, M4 Pump	1	X
36	012930	Outlet Gasket, 4 inch, M4 Pump	1	X
37	300460	Petcock Drain, M4 Pump	1	
38	305402	Packing Kit, M4 Pump	1	X
39	305405	Shaft Kit, Stainless, M4 Pump	1	X
40	305404	Impeller Kit, M4 Pump	1	X

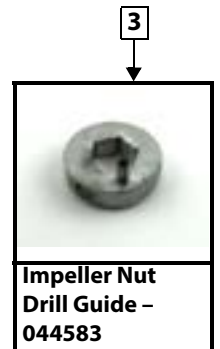
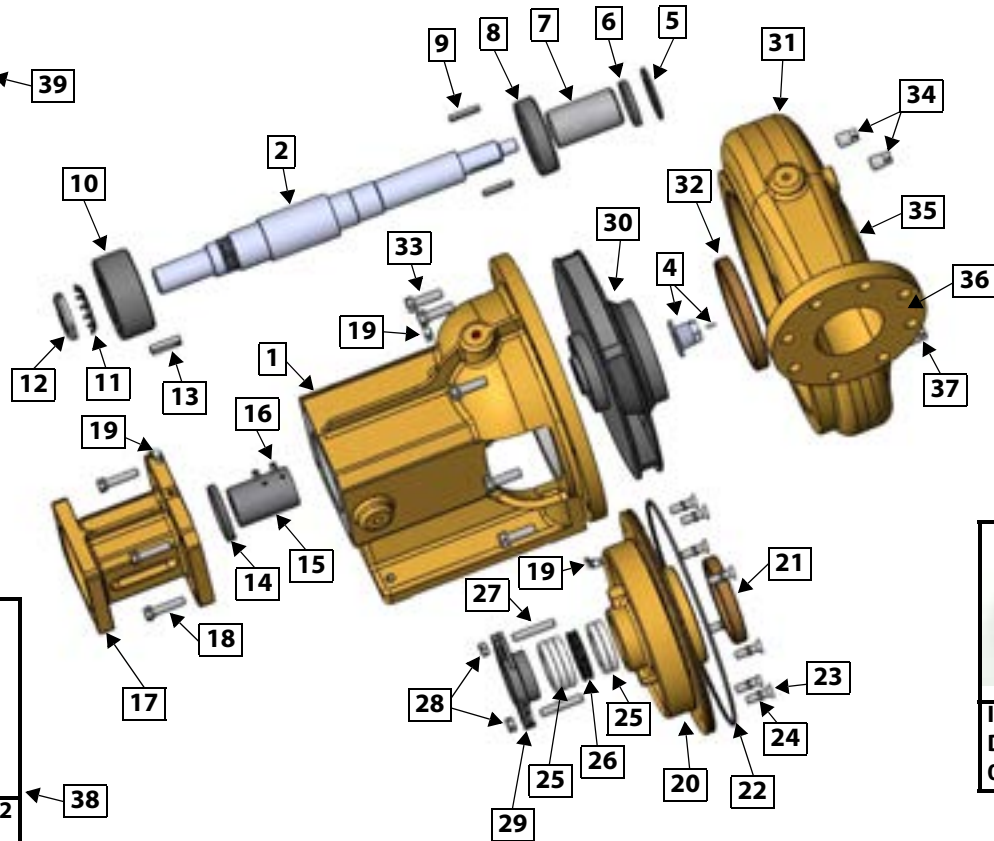
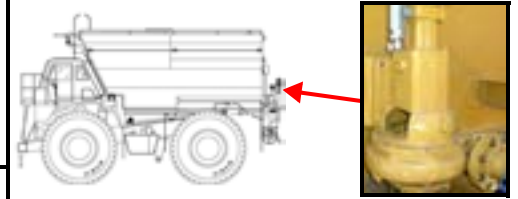
SECTION 1

Water Pump & Hydraulic Motor Assembly

MEGA M4 WATER PUMP – TRIMMED IMPELLER (GEN 3)

PART NO. 305074

- Clockwise Rotation
- 6 inch Inlet
- 4 inch Discharge
- 12 inch Impeller

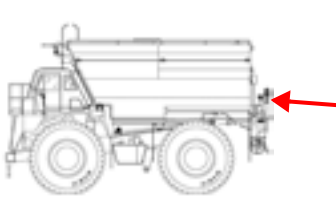



ITEM	PART NO	DESCRIPTION	QT Y	SPARE PART
	305074	MEGA M4 Pump Assembly-Trimmed		
1	305097	Bracket, M4 Pump	1	
2	305628	Shaft, Carbon Steel, M4 Pump	1	X
3	044583	Drill Guide, Impeller Nut, M4 Pump	1	X
4	305627	Nut Impeller, M4 Pump	1	X
5	305100	Water Slinger, M4 Pump	1	X
6	304960	Seal, Grease, Impeller Side, M4 Pump	1	X
7	305096	Sleeve, Wear, Shaft, M4 Pump	1	X
8	304956	Bearing, Impeller Side M4 Pump	1	X
9	305106	Key, Impeller, M4 Pump	2	X
10	305108	Bearing, Drive Side, M4 Pump	1	X
11	305631	Washer, Tab, Bearing Retainer, M4 Pump	1	X
12	305630	Nut, Shaft, M4 Pump	1	X
13	305101	Key, Shaft Drive End, M4 Pump	1	X
14	305113	Seal, Grease, Drive Side, M4	1	X
15	305102	Coupling, Shaft to Motor, M4 Pump	1	X
16	305107	Set Screw, Coupling, M4 Pump	2	X
17	305099	Mount, Hydraulic Motor, M4 Pump	1	
18	350149	Bolt, 3/8" x 2" GR 8, Motor Mount, M4 Pump	4	
19	304968	Grease Fitting, 1/8 inch, NPT	3	X
20	305094	Packing Mount, Standard, M4 Pump	1	

ITEM	PART NO	DESCRIPTION	QT Y	SPARE PART
21	305091	Wear Ring, Packing Mount, M4 Pump	1	X
22	305111	Seal, O-Ring, Volute, M4 Pump	1	X
23	305340	Bolt, Packing Mount, M4 Pump	8	X
24	305626	Cap Screw Nylite Seals, M4 Pump	8	X
25	305114	Packing 3/8 inch, Set of 5 Rings, M4 Pump	1	X
26	305112	Lantern Ring, M4 Pump	1	X
27	305105	Stud, Packing Gland, M4 Pump	2	X
28	305288	Nut, Packing Gland Flanged, M4 Pump	2	X
29	305098	Packing Gland (Pair), M4 Pump	1	X
30	040666	Impeller 12 inch Diameter, SS, M4 Pump	1	
31	305090	Volute Case, Standard Cast Iron, M4 Pump	1	
32	305092	Wear Ring, Volute, M4 Pump	1	X
33	350232	Bolt, 1/2" x 1 3/4" GR 8, Volute Case, M4 Pump	8	
34	350852	Plug, Volute, M4 Pump	3	X
35	302527	Inlet Flange Gasket, 6 inch, M4 Pump	1	X
36	012930	Outlet Gasket, 4 inch, M4 Pump	1	X
37	300460	Petcock Drain, M4 Pump	1	
38	305402	Packing Kit, M4 Pump	1	X
39	305403	Shaft Kit, Standard, M4 Pump	1	X

SECTION 1

Water Pump & Hydraulic Motor Assembly

MEGA M-4B WATER PUMP – ROPE SEAL, STANDARD
PART NO. 306200

- Clockwise Rotation
- 6 inch Inlet
- 4 inch Discharge
- Rope Packing Seal



Shaft Kit – 306663
 Items: 1, 5-11, 13-15, 18, 19, 27, 28



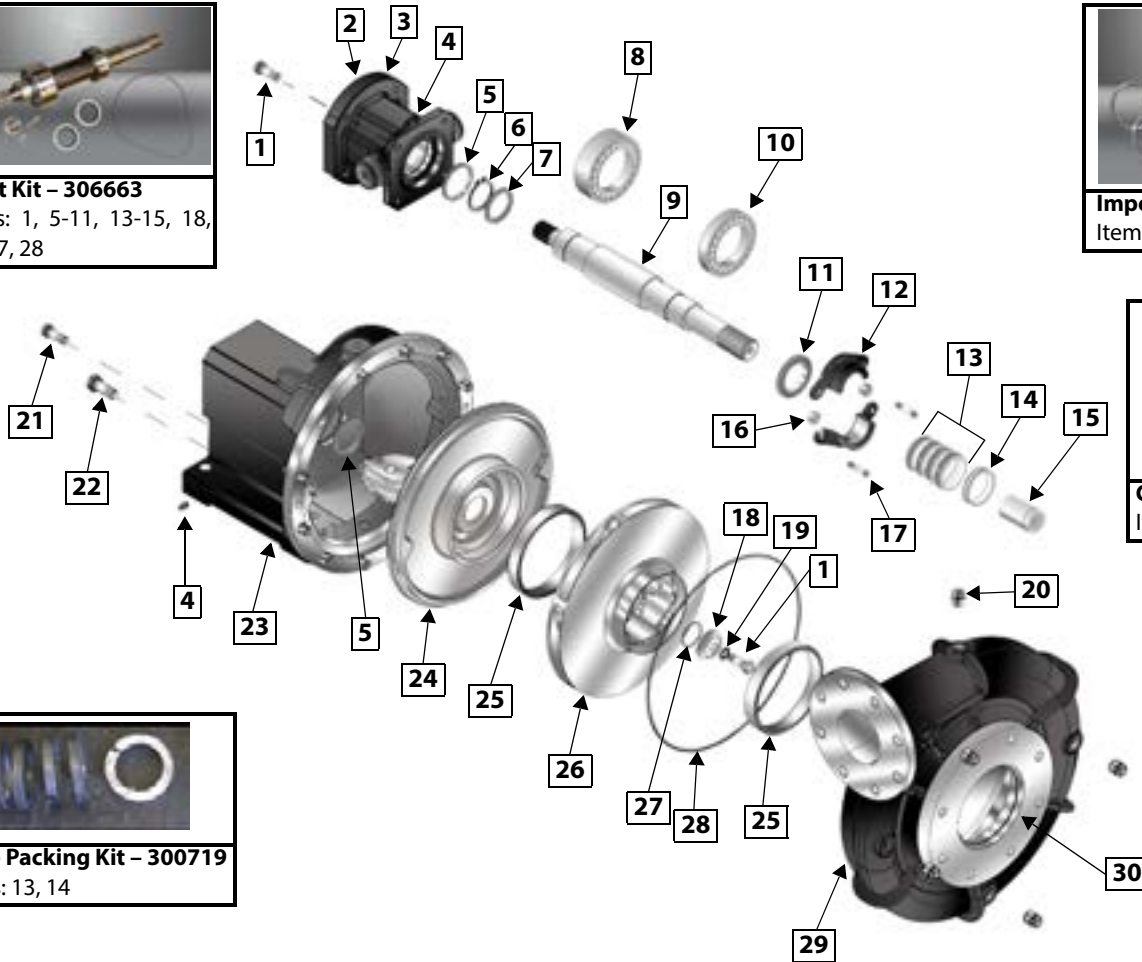
Impeller Kit – 306664
 Items: 1, 18, 19, 21, 25-30



Casing Kit – 306795
 Items: 21, 28, 29



Rope Packing Kit – 300719
 Items: 13, 14



ITEM	PART NO	DESCRIPTION	QT Y	SPARE PART
	306200	M4B, Rope Seal, Standard		
	306795	Kit, Casing	1	X
	300719	Kit, Rope Packing	1	X
	306664	Kit, Impeller	1	X
	306663	Kit, Shaft	1	X
1	306720	Capscrew, Hex HD 1/2-13NC X 1-1/2L 316SS	4	X
2	302527	Gasket, Inlet	1	X
3	306736	Bearing Cap Motor Bracket	1	
4	306697	Grease Fitting, 5/16-24NPS	2	
5	302302	Seal, Oil	2	
6	306733	Ring, Retaining, 1.819"	1	
7	304019	Ring, Thrust, 1.973"	1	
8	302296	Bearing, Drive Side	1	
9	306718	Shaft, Splined, 20.15"	1	
10	302297	Bearing, Impeller Side	1	
11	306731	Water Slinger	1	
12	306695	Slotted Split Gland	1	
13	306699	Ring, Packing	4	

ITEM	PART NO	DESCRIPTION	QT Y	SPARE PART
14	306732	Ring, Metallic	1	
15	306735	Sleeve, Shaft	1	
16	306734	Nut, Hex 1/2-13NC 304SS	2	
17	306223	Stud, 1/2-13NC X 2-1/2L 316SS	2	
18	306719	Washer, Impeller, SS	1	
19	306721	Washer, External Tooth, SS	1	
20	306724	Plug, Pipe, SS	5	
21	306722	Capscrew, Hex 1/4-20X1-1/2	12	
22	306730	Capscrew, Hex HD 5/8"	2	
23	306716	Bracket, Frame Mount	1	
24	306725	Seal Plate	1	
25	306717	Ring, Wear, SS	2	
26	306727	Impeller	1	
27	306729	O-Ring	1	
28	306763	O-Ring, Casing	1	
29	306798	Volute Case w/Wear Ring	1	
30	012930	Gasket, Outlet	1	X

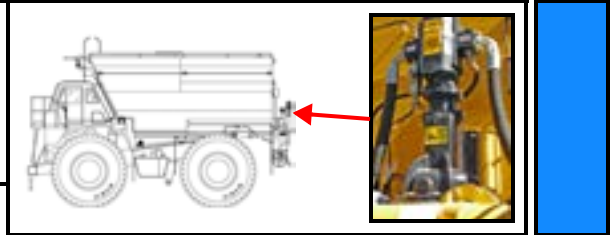
SECTION 1

Water Pump & Hydraulic Motor Assembly

MEGA M-4B WATER PUMP – ROPE SEAL, CORROSION RES.

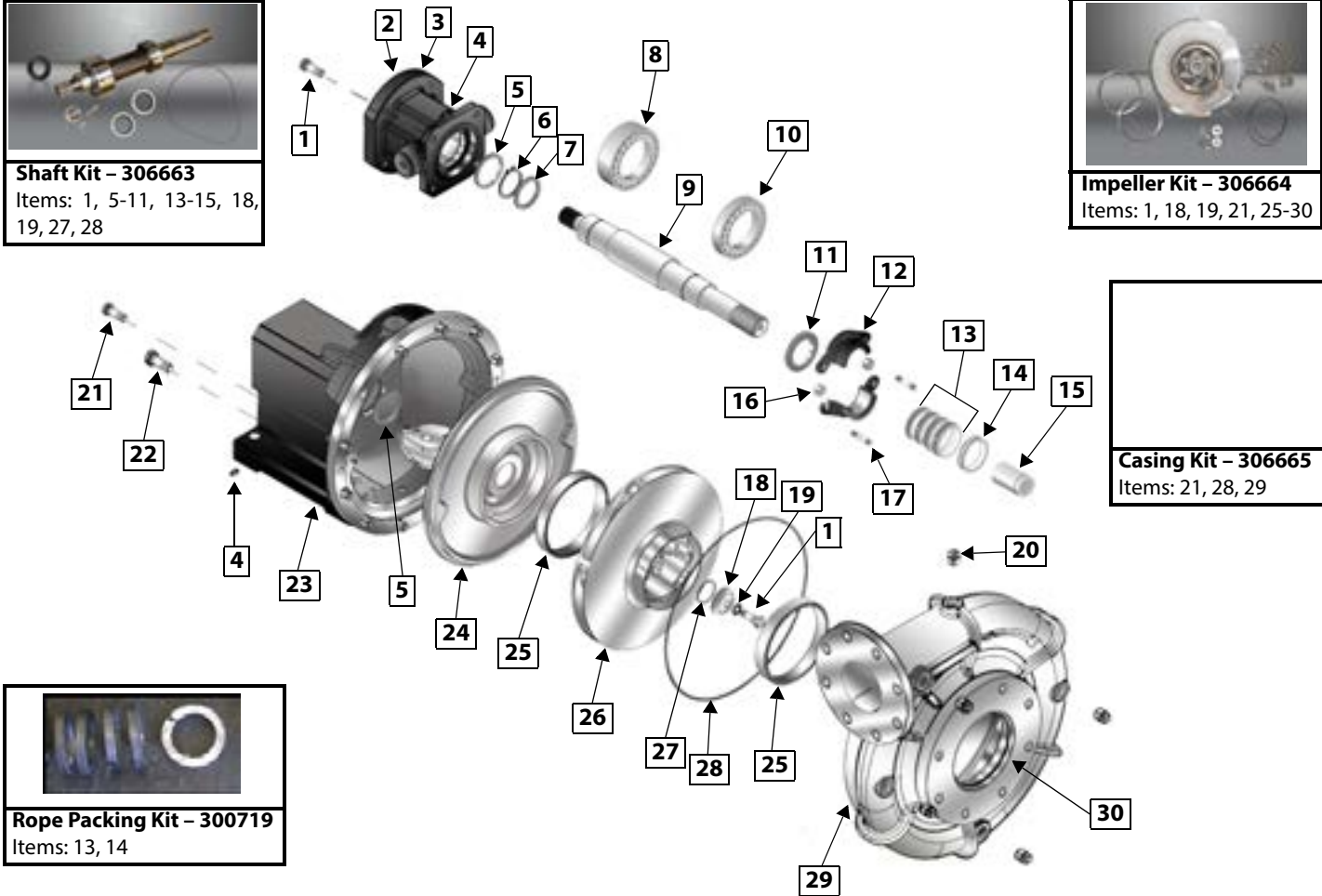
PART NO. 306201

- Clockwise Rotation
- 6 inch Inlet
- 4 inch Discharge
- 6 inch Inlet
- Rope Packing Seal



Shaft Kit – 306663

Items: 1, 5-11, 13-15, 18, 19, 27, 28



Impeller Kit – 306664

Items: 1, 18, 19, 21, 25-30



Casing Kit – 306665

Items: 21, 28, 29



Rope Packing Kit – 300719




Items: 13, 14

ITEM	PART NO	DESCRIPTION	QT Y	SPARE PART
	306201	M4B, Rope Seal, Corrosion Resistant		
	306665	Kit, Casing	1	X
	300719	Kit, Rope Packing	1	X
	306664	Kit, Impeller	1	X
	306663	Kit, Shaft	1	X
1	306720	Capscrew, Hex HD 1/2-13NC X 1-1/2L 316SS	4	X
2	302527	Gasket, Inlet	1	X
3	306736	Bearing Cap Motor Bracket	1	
4	306697	Grease Fitting, 5/16-24NPS	2	
5	302302	Seal, Oil	2	
6	306733	Ring, Retaining, 1.819"	1	
7	304019	Ring, Thrust, 1.973"	1	
8	302296	Bearing, Drive Side	1	
9	306718	Shaft, Splined, 20.15"	1	
10	302297	Bearing, Impeller Side	1	
11	306731	Water Slinger	1	
12	306695	Slotted Split Gland	1	
13	306699	Ring, Packing	4	

ITEM	PART NO	DESCRIPTION	QT Y	SPARE PART
14	306732	Ring, Metallic	1	
15	306735	Sleeve, Shaft	1	
16	306734	Nut, Hex 1/2-13NC 304SS	2	
17	306223	Stud, 1/2-13NC X 2-1/2L 316SS	2	
18	306719	Washer, Impeller, SS	1	
19	306721	Washer, External Tooth, SS	1	
20	306724	Plug, Pipe, SS	5	
21	306722	Capscrew, Hex 1/4-20X1-1/2	12	
22	306730	Capscrew, Hex HD 5/8"	2	
23	306716	Bracket, Frame Mount	1	
24	306726	Seal Plate, SS	1	
25	306717	Ring, Wear, SS	2	
26	306727	Impeller	1	
27	306729	O-Ring	1	
28	306698	O-Ring, Casing, Viton Durometer	1	
29	306728	Volute Case w/Wear Ring	1	
30	012930	Gasket, Outlet	1	X

SECTION 1

Water Pump & Hydraulic Motor Assembly

	 	<p>MEGA M-4B WATER PUMP – MECH. SEAL, STANDARD PART NO. 306200</p> <p>IN DEVELOPMENT — COMING SOON!</p>

SECTION 1

Water Pump & Hydraulic Motor Assembly

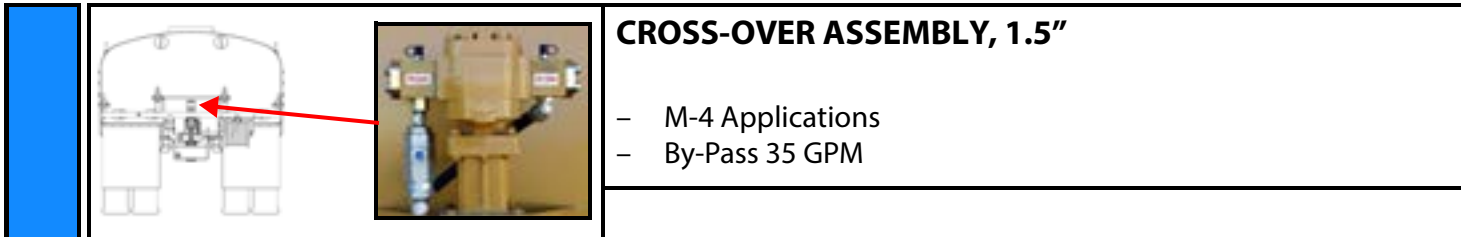
MEGA M-4B WATER PUMP – MECH SEAL, CORROSION RES.

PART NO. 306200

IN DEVELOPMENT — COMING SOON!

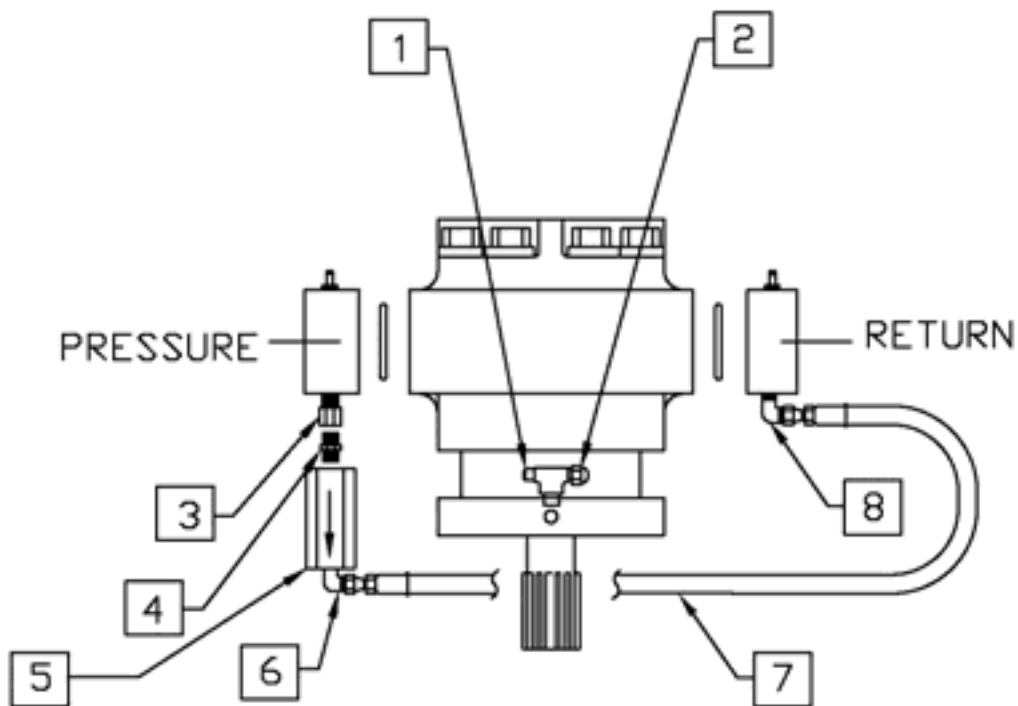
SECTION 1

Water Pump & Hydraulic Motor Assembly



CROSS-OVER ASSEMBLY, 1.5"

- M-4 Applications
- By-Pass 35 GPM



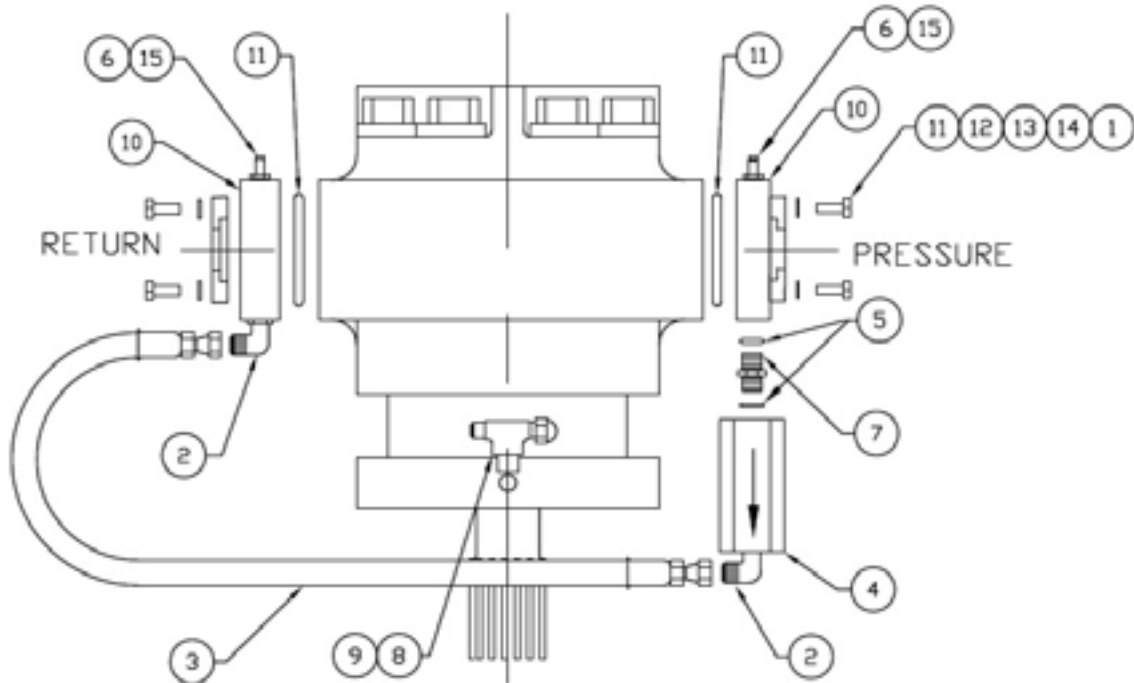
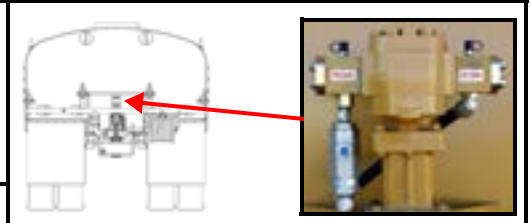
ITEM	PART NO	DESCRIPTION	QTY	SPARE PART
	041282	CROSS-OVER ASSEMBLY		
1	353987	T-FITTING, JIC -6S	1	
2	353489	CAP, JIC-6S		
3	353226	ADAPTER, AERO2216-12-12S	1	
4	352474	ADAPTER, AERO2083-12-12S	1	
5	300161	VALVE, FLOW CONTROL	1	X
6	352452	ELBOW, AERO2014-12-12S	2	
7	041283	HOSE ASSY, CROSS-OVER	1	
8	352495	ELBOW, AERO2061-12-12S	2	

SECTION 1

Water Pump & Hydraulic Motor Assembly

CROSS-OVER ASSEMBLY, 1.25"

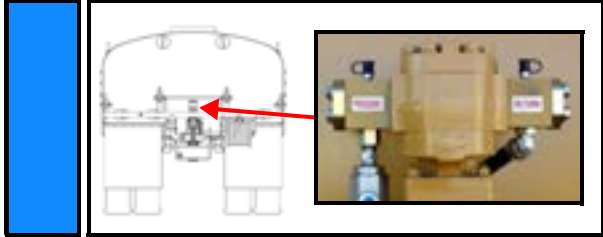
- M-3 Pump Applications
- By-Pass 35 GPM



ITEM	PART NO	DESCRIPTION	QTY	SPARE PART
	046720	CROSS-OVER ASSEMBLY		
1	007126	BLIND FLANGE, 1-1/4"	2	
2	352495	ORB/JIC 2062-12-12S 90°	2	
3	046984	CROSSOVER HOSE ASSY	1	
4	306561	VALVE, FLOW CONTROL 3/4	1	X
5	354979	SEAL, O-RING	2	
6	304382	TEST FITTING, ORB -4	2	
7	306634	UNION, ADJUSTABLE, ORB	1	
8	352987	TEE, PIPE/JIC 2030-4-6S	1	
9	353489	CAP, JIC 210292-6S	1	
10	046472	MANIFOLD 1-1/4"	2	
11	354815	SEAL, O-RING	4	
12	350004	FLAT WASHER, 7/16"	8	
13	350200	CAP SCREW, 7/16-14 X 4.50"	8	
14	352533	SPLIT FLANGE, 1-1/4"	4	
15	304531	CAP, TEST PORT	2	

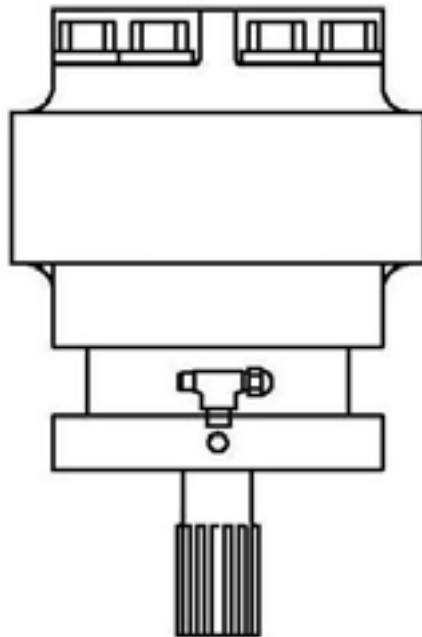
SECTION 1

Water Pump & Hydraulic Motor Assembly



HYDRAULIC DRIVE MOTORS

CONTACT MEGA PRODUCT SUPPORT WITH TANK SERIAL NO.



Contact the MEGA Corp. Product Support Group at: U.S. Toll Free 1-800-345-8889 or Direct 1-505-345-2661 for correct hydraulic drive motor sizing based on unit serial number.

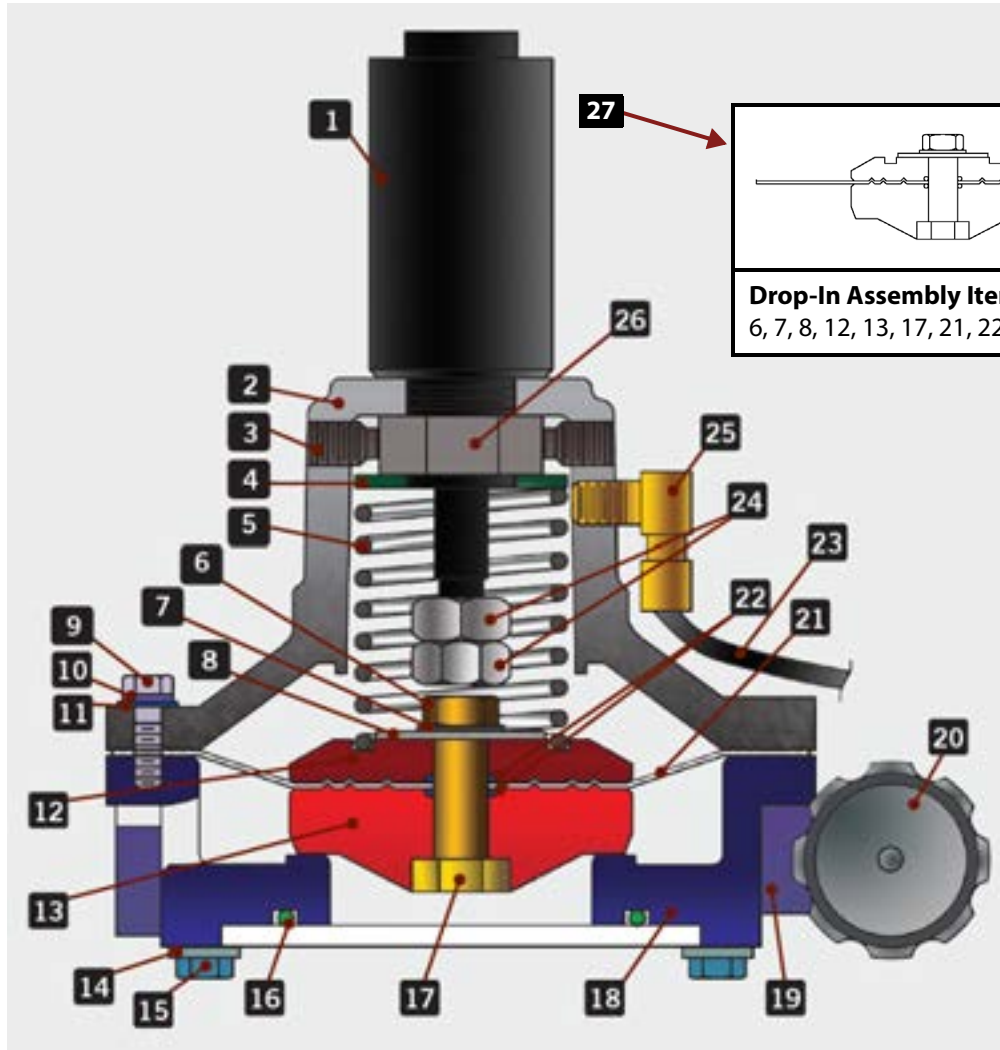
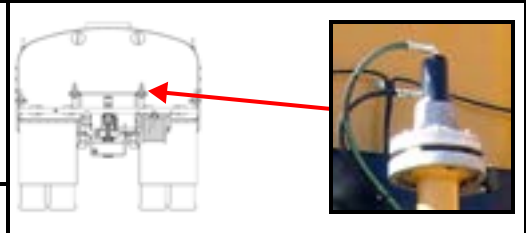
SECTION 2

Spray Head Assembly

SPRAY HEAD, 3", HYDRAULIC (STAINLESS STEEL)

PART NO. 047062

- Stainless Steel
- Hydraulic Cylinder
- 550 PSI



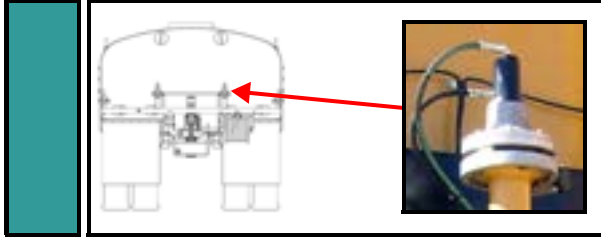
Drop-In Assembly Items:
6, 7, 8, 12, 13, 17, 21, 22

ITEM	PART NO	DESCRIPTION	QTY	SPARE PART
	047062	SPRAY HEAD, HYD., SS		X
1	304744	CYLINDER, HYDRAULIC	1	X
2	306395	HOUSING, UPPER, SS	1	
3	354513	SCREW, SET	2	X
4	350011	WASHER, 1.25"	1	X
5	305304	SPRING	1	X
6	300211	BOLT, STEM	1	X
7	300212	WASHER, BELL	1	X
8	354598	WASHER, FLAT	1	X
9	306148	CAP SCREW, 5/16 X 1 1/4" SS	8	X
10	355337	WASHER, LOCK 5/16" SS	8	X
11	355336	WASHER, FLAT 5/16" SS	8	X
12	300210	GUIDE DISK, UPPER	1	X
13	300209	GUIDE DISK, LOWER	1	X
14	355295	WASHER, FLAT SS	4	X

ITEM	PART NO	DESCRIPTION	QTY	SPARE PART
15	355946	CAP SCREW, 3/8 X 3/4" SS	4	X
16	354502	O-RING, BASE	1	X
17	300214	STEM, NUT	1	X
18	045099	HOUSING BASE, SS	1	
19	045679	RING, ADJUSTING, SS	1	X
20	302912	KNOB, ADJUSTING RING	1	X
21	300208	DIAPHRAGM 3"	1	X
22	300215	O-RING, STEM	2	X
23	351141	TUBING, NYLON 3/8"	8"	X
24	350044	NUT, HEX 1/2"-20	2	X
25	351082	ELBOW, 1/4" NPT-3/8" TUBE	1	X
26	305924	NUT, CYLINDER RETAINER	1	X
27	300409	DROP-IN ASSEMBLY		X

SECTION 2

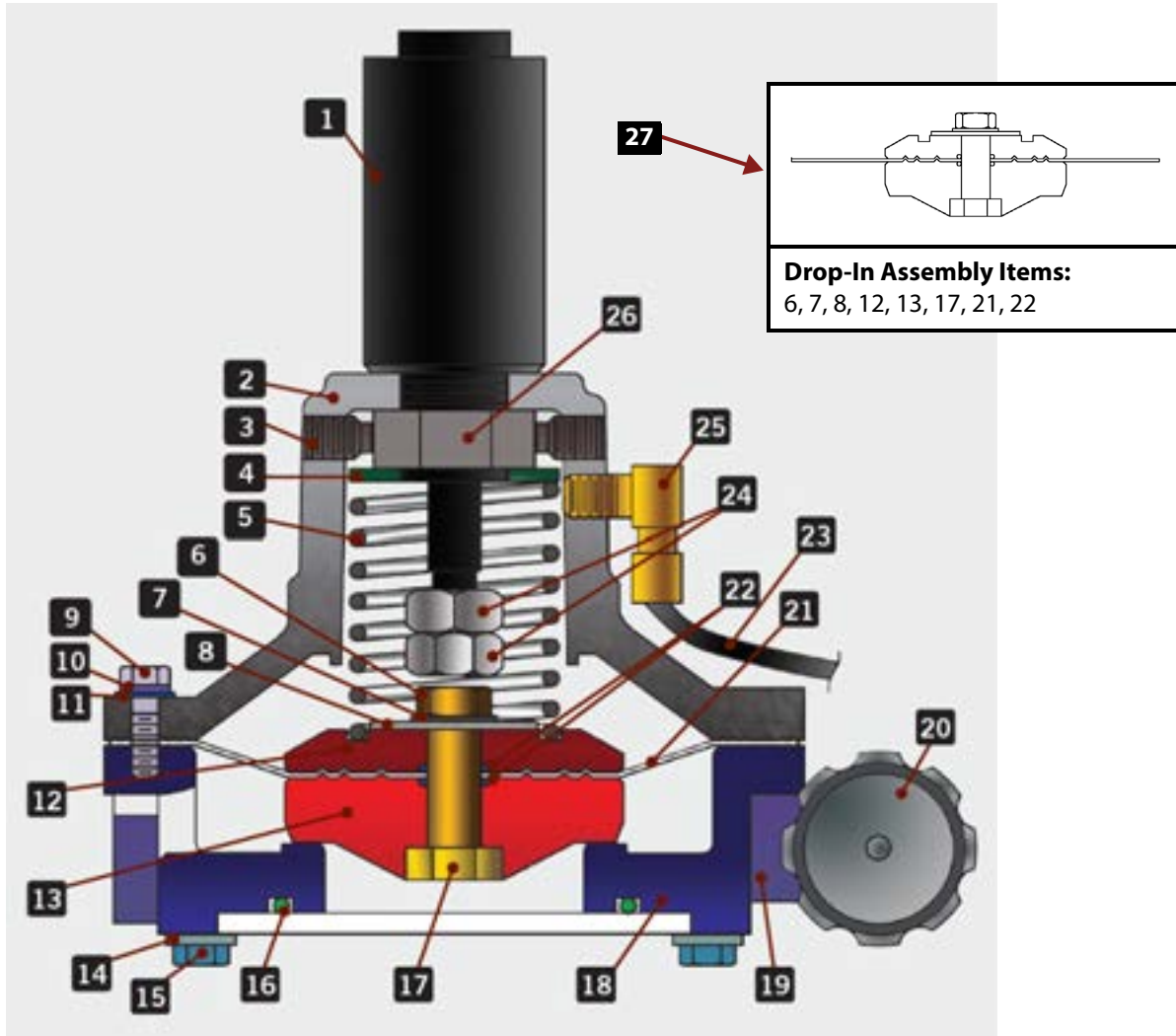
Spray Head Assembly



SPRAY HEAD, 3", HYDRAULIC (ANODIZED)

PART NO. 042290

- Anodized - 550 PSI
- Hydraulic Cylinder



Drop-In Assembly Items:

6, 7, 8, 12, 13, 17, 21, 22

ITEM	PART NO	DESCRIPTION	QTY	SPARE PART
	042290	SPRAY HEAD, HYD, ANOD.		X
1	304744	CYLINDER, HYDRAULIC	1	X
2	305295	HOUSING, UPPER, ANOD	1	
3	354513	SCREW, SET	2	X
4	350011	WASHER, 1.25"	1	X
5	305304	SPRING	1	X
6	300211	BOLT, STEM	1	X
7	350206	WASHER, BELL	1	X
8	300212	WASHER, FLAT	1	X
9	355335	CAP SCREW, 5/16 X 1 1/4" SS	8	X
10	355337	WASHER, LOCK 5/16" SS	8	X
11	355336	WASHER, FLAT 5/16" SS	8	X
12	300210	GUIDE DISK, UPPER	1	X
13	300209	GUIDE DISK, LOWER	1	X
14	355294	WASHER, FLAT SS	4	X

ITEM	PART NO	DESCRIPTION	QTY	SPARE PART
15	355295	CAP SCREW, 3/8 X 3/4" SS	4	X
16	354502	O-RING, BASE	1	X
17	300214	STEM, NUT	1	X
18	305297	HOUSING LOWER, ANOD	1	
19	305296	RING, ADJUSTING, ANOD	1	X
20	302912	KNOB, ADJUSTING RING	1	X
21	300208	DIAPHRAGM 3"	1	X
22	300215	O-RING, STEM	2	X
23	351141	TUBING, NYLON 3/8"	8"	X
24	350044	NUT, HEX 1/2"-20	2	X
25	351082	ELBOW, 1/4" NPT-3/8" TUBE	1	X
26	305924	NUT, CYLINDER RETAINER	1	X
27	300409	DROP-IN ASSEMBLY		X

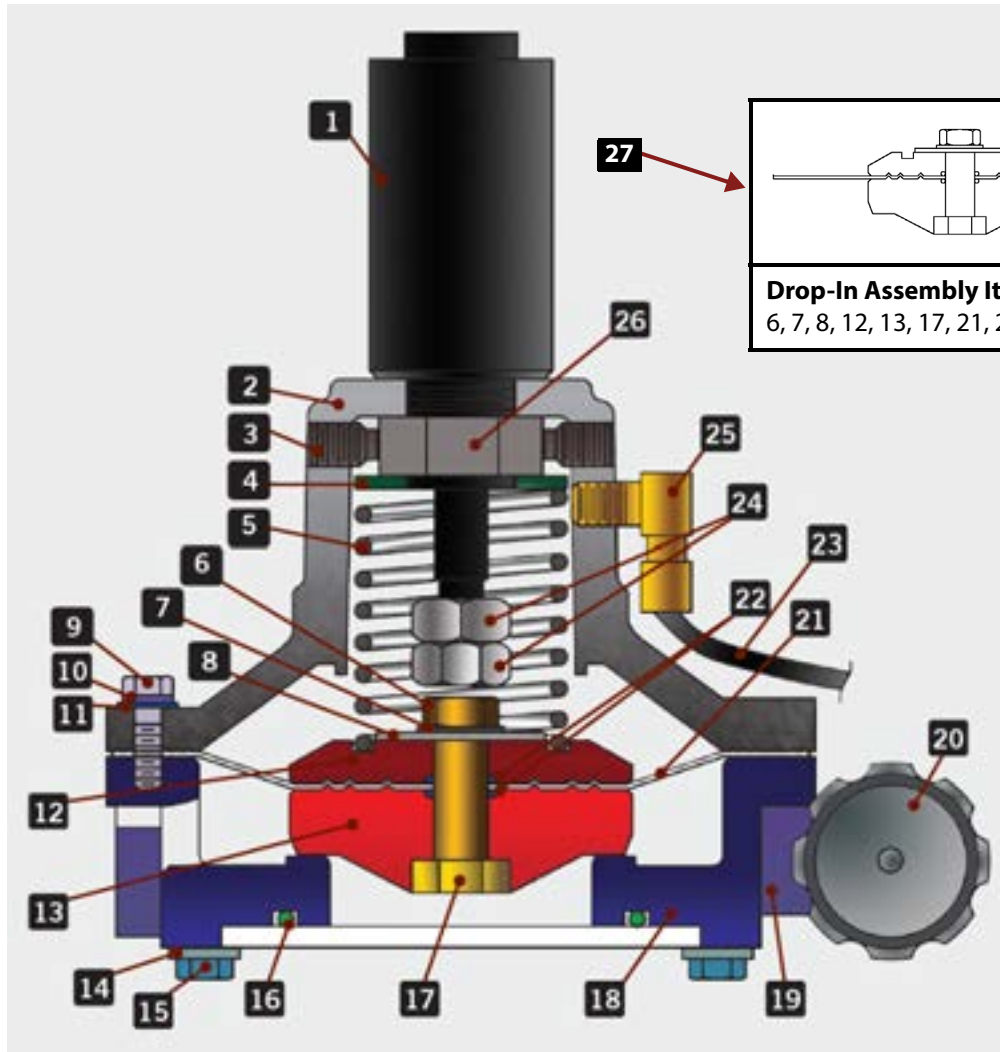
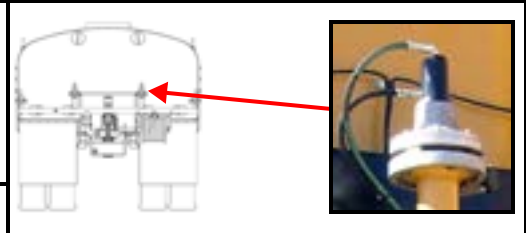
SECTION 2

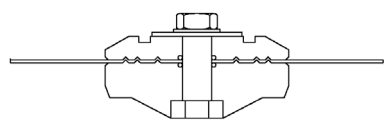
Spray Head Assembly

SPRAY HEAD, 3", HYDRAULIC (STANDARD)

PART NO. 025610

- Hydraulic Cylinder
- 550 PSI





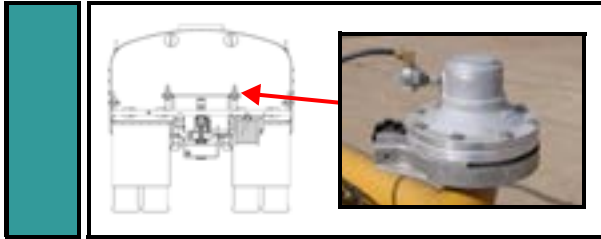
Drop-In Assembly Items:
6, 7, 8, 12, 13, 17, 21, 22

ITEM	PART NO	DESCRIPTION	QTY	SPARE PART
	025610	SPRAY HEAD, HYD.		X
1	304744	CYLINDER, HYDRAULIC	1	X
2	025615	HOUSING, UPPER	1	X
3	354513	SCREW, SET	2	X
4	350011	WASHER, 1.25"	1	X
5	305304	SPRING	1	X
6	300211	BOLT, STEM	1	X
7	300212	WASHER, BELL	1	X
8	354598	WASHER, FLAT	1	X
9	355335	CAP SCREW, 5/16 X 1 1/4" SS	8	X
10	355337	WASHER, LOCK 5/16" SS	8	X
11	355336	WASHER, FLAT 5/16" SS	8	X
12	300210	GUIDE DISK, UPPER	1	X
13	300209	GUIDE DISK, LOWER	1	X
14	355295	WASHER, FLAT SS	4	X

ITEM	PART NO	DESCRIPTION	QTY	SPARE PART
15	355294	CAP SCREW, 3/8 X 3/4" SS	4	X
16	354502	O-RING, BASE	1	X
17	300214	STEM, NUT	1	X
18	300207	HOUSING LOWER	1	
19	300216	RING, ADJUSTING	1	X
20	302912	KNOB, ADJUSTING RING	1	X
21	300208	DIAPHRAGM 3"	1	X
22	300215	O-RING, STEM	2	X
23	351141	TUBING, NYLON 3/8"	8"	X
24	350044	NUT, HEX 1/2"-20	2	X
25	351082	ELBOW, 1/4" NPT-3/8" TUBE	1	X
26	305924	NUT, CYLINDER RETAINER	1	X
27	300409	DROP-IN ASSEMBLY		X

SECTION 2

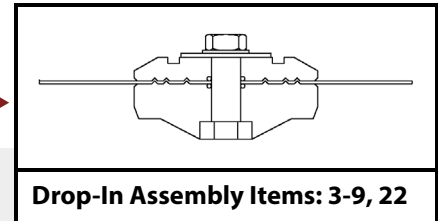
Spray Head Assembly



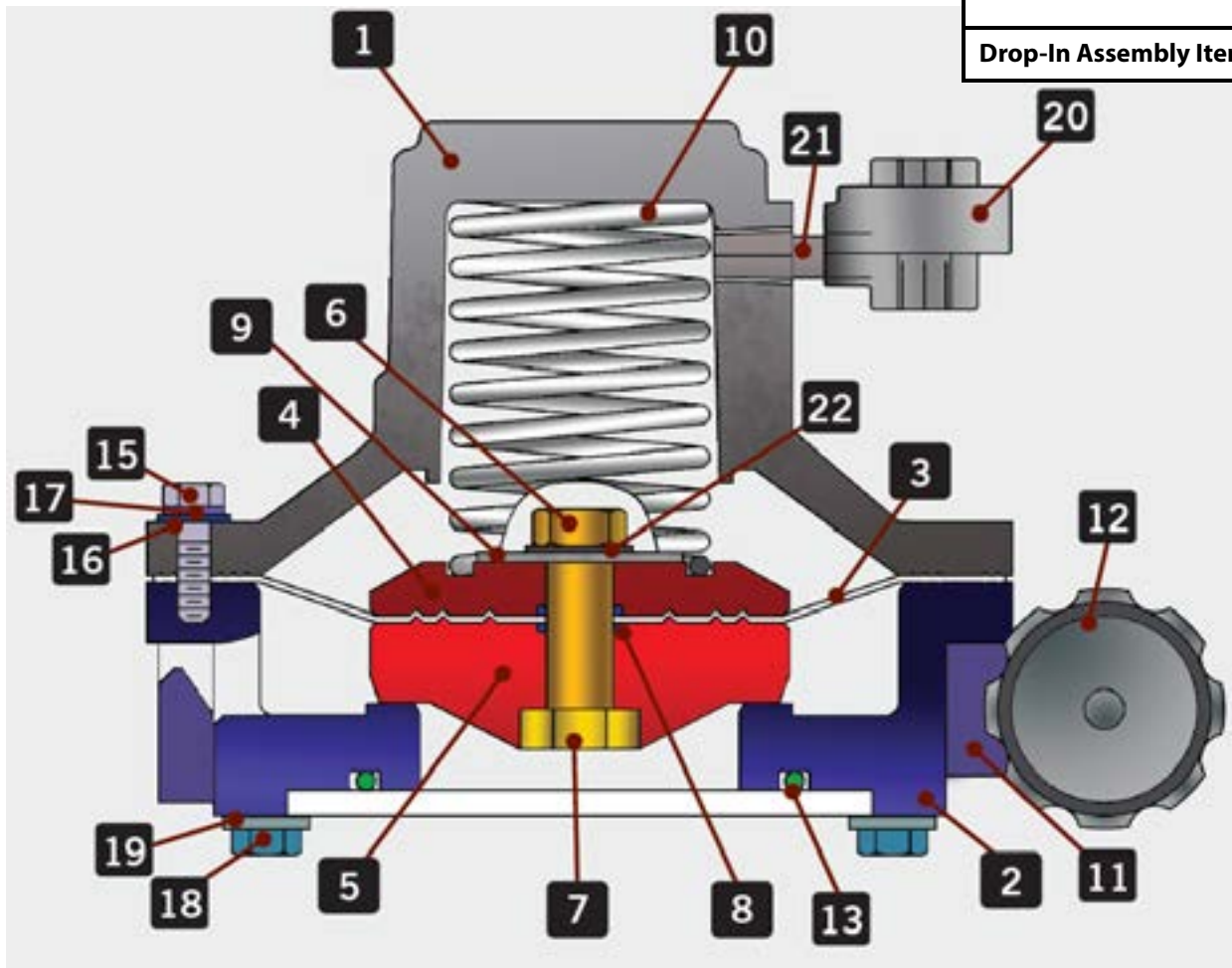
SPRAY HEAD, 3", PNEUMATIC (STANDARD)

PART NO. 300198

- Pneumatic Chamber
- 60-90 PSI



Drop-In Assembly Items: 3-9, 22



ITEM	PART NO	DESCRIPTION	QT Y	SPARE PART
	300198	Mega Spray Head, 3", Pneumatic, Standard	1	X
1	300206	Housing, Upper	1	
2	300207	Housing, Base	1	
3	300208	Diaphragm	1	X
4	300210	Guide Disk, Upper	1	X
5	300209	Guide Disk, Lower	1	X
6	300211	Bolt, Stem	1	X
7	300214	Nut, Stem	1	X
8	300215	O-Ring, Stem	2	X
9	354598	Washer, Flat, 5/8	1	X
10	300213	Spring	1	X
11	300216	Adjusting Ring	1	X

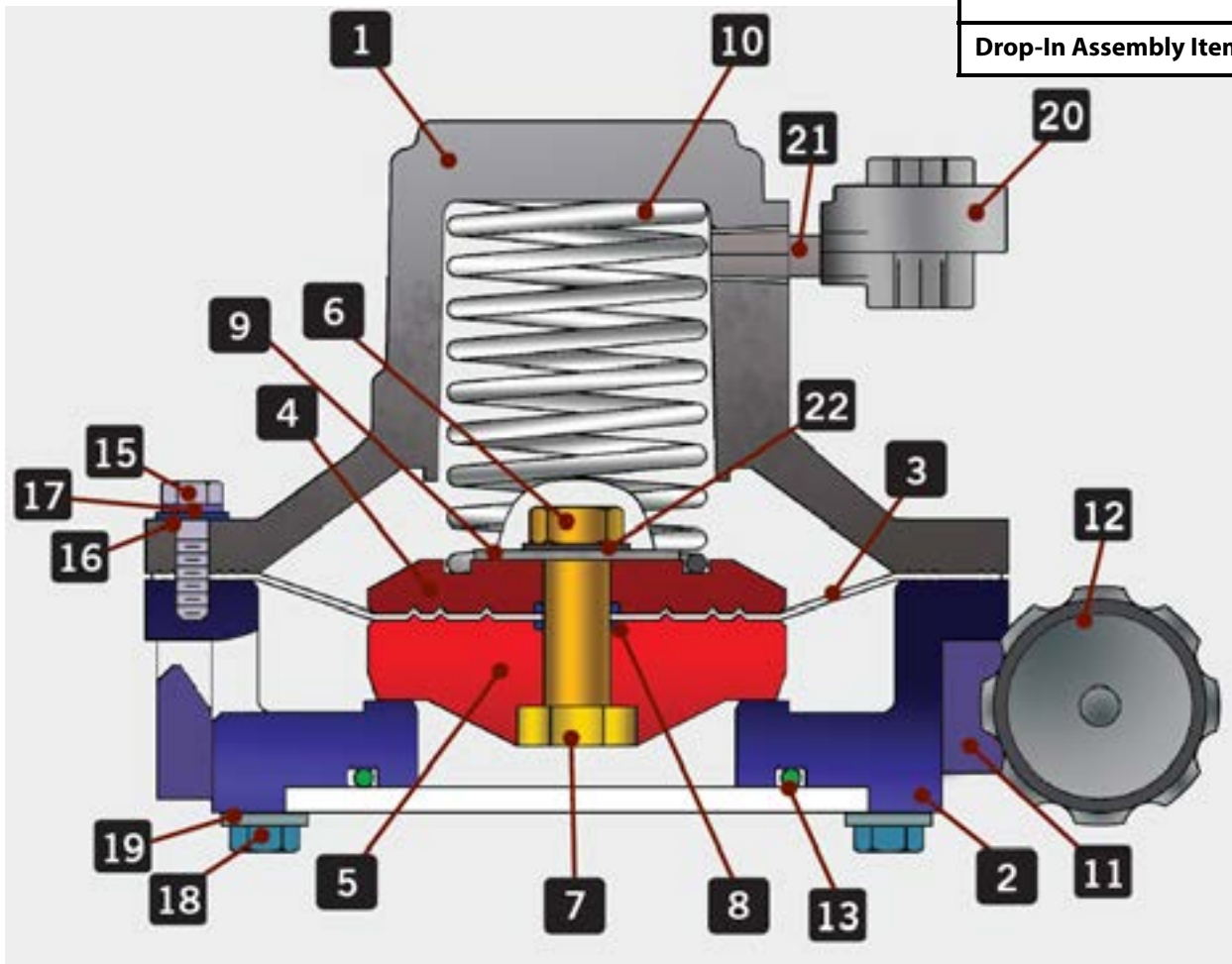
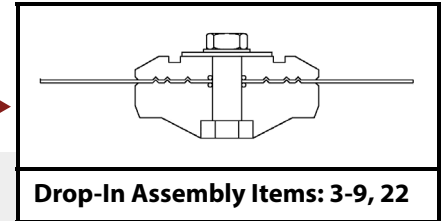
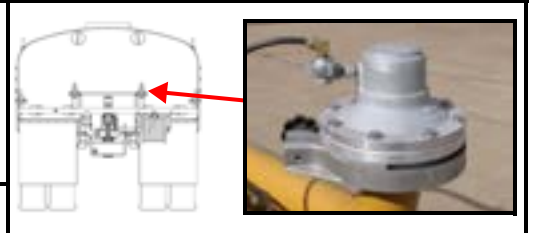
ITEM	PART NO	DESCRIPTION	QT Y	SPARE PART
12	302912	Knob, Adjusting Ring	1	X
13	354502	O-Ring, Base	1	X
14	300409	Drop-In Assembly	1	X
15	355335	Cap Screw, 5/16 X 1 1/4 inch SS	8	X
16	355336	Washer, Flat 5/16 SS	8	X
17	355337	Washer, Lock, 5/16 SS	8	X
18	355294	Cap Screw, 3/8 X 3/4 inch SS	4	X
19	355295	Washer, Flat, SS	4	X
20	300468	Valve, Quick Discharge, Pneumatic	1	X
21	352467	Nipple, Quick Discharge Valve, Pneumatic	1	X
22	300212	Washer, Bell	1	X

SECTION 2 Spray Head Assembly

SPRAY HEAD, 3", PNEUMATIC (ANODIZED)

PART NO. 042288

- Anodized - 60-90 PSI
- Pneumatic Chamber



ITEM	PART NO	DESCRIPTION	QT Y	SPARE PART
	042288	Mega Spray Head, 3", Pneumatic, Anodized	1	X
1	305306	Housing, Upper, Anodized	1	
2	305297	Housing, Base, Anodized	1	
3	300208	Diaphragm	1	X
4	300210	Guide Disk, Upper	1	X
5	300209	Guide Disk, Lower	1	X
6	300211	Bolt, Stem	1	X
7	300214	Nut, Stem	1	X
8	300215	O-Ring, Stem	2	X
9	354598	Washer, Flat, 5/8	1	X
10	300213	Spring	1	X
11	305296	Adjusting Ring, Anodized	1	X

ITEM	PART NO	DESCRIPTION	QT Y	SPARE PART
12	302912	Knob, Adjusting Ring	1	X
13	354502	O-Ring, Base	1	X
14	300409	Drop-In Assembly	1	X
15	355335	Cap Screw, 5/16 X 1 1/4 inch SS	8	X
16	355336	Washer, Flat 5/16 SS	8	X
17	355337	Washer, Lock, 5/16 SS	8	X
18	355294	Cap Screw, 3/8 X 3/4 inch SS	4	X
19	355295	Washer, Flat, SS	4	X
20	300468	Valve, Quick Discharge, Pneumatic	1	X
21	352467	Nipple, Quick Discharge Valve, Pneumatic	1	X
22	300212	Washer, Bell	1	X

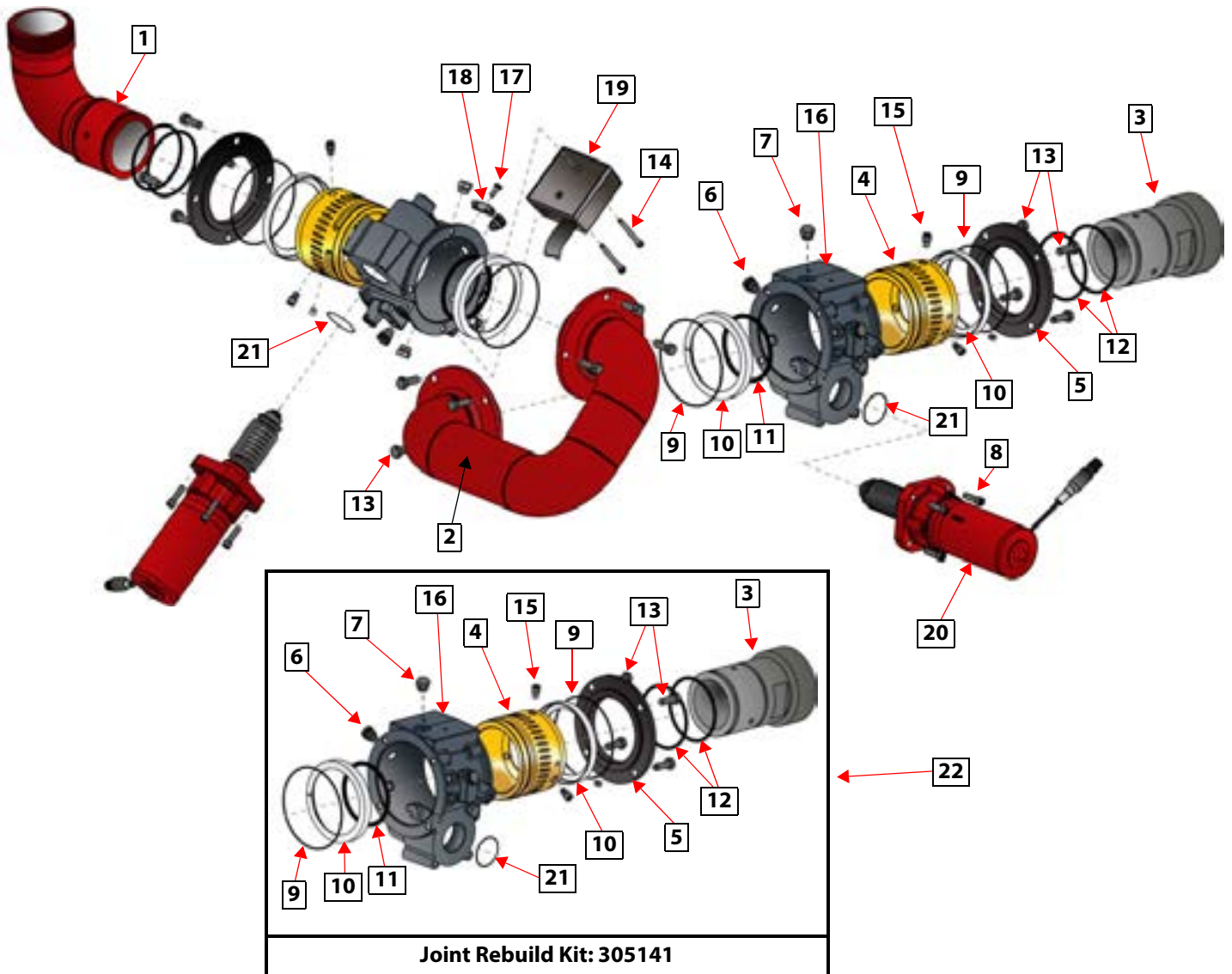
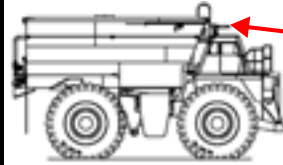
SECTION 2
Spray Head Assembly

SECTION 3 Water Cannon System

WATER CANNON, REMOTE (ELECTRIC)

PART NO. 304652

- 24 VDC
- Stainless Steel

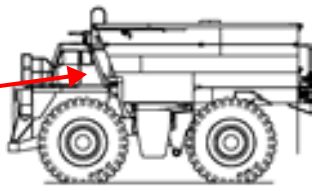


Joint Rebuild Kit: 305141

ITEM	PART NO	DESCRIPTION	QTY	SPARE PART
	304652	WATER CANNON, 24VOLT		
1	304627	ELBOW OUTLET, 2.5NH	1	
2	304628	GOOSENECK WELDMENT	1	
3	304629	INLET, 2.5NPT	1	
4	304630	GEAR, WORM BRONZE	2	
5	304631	CAP, JOINT 6061T6	2	
6	304632	STOP, 303-304STL	4	
7	304633	PLUG, 1/2-20-1/2" 3578	6	
8	304635	SCREW, SOC HD, 1/4"-20-7/8"	8	
9	304636	O-RING 2-045	4	
10	304637	BEARING, POLY	4	
11	304638	O-RING, 3 1/4 X 2 7/8	2	

ITEM	PART NO	DESCRIPTION	QTY	SPARE PART
12	304639	O-RING, 3 1/4 X 3	4	
13	304640	SCREW, HEX HD CAP	16	
14	304641	SCREW, SOC HD	2	
15	304642	STUD SST	6	
16	304643	JOINT, MCH/HC	2	
17	304650	SCREW PAN HD 10-24 X 1/2	1	
18	304651	CLIP, SPEED CONNECTOR	1	
19	304620	HARNES, WIRING	1	
20	304618	MOTOR & GEARING, 24 VDC	2	X
21	304039	O-RING, 2 5/8 x 2 1/2	2	X
22	305141	JOINT (2) REBUILD KIT		X

SECTION 3 Water Cannon System



LOGIC BOX, WATER CANNON (ELECTRIC)

PART NO. 040901

- Electric Water Cannon Controller
- 24/12 Volt DC



ITEM	PART NO	DESCRIPTION	QTY	SPARE PART
	040901	LOGIC BOX	1	

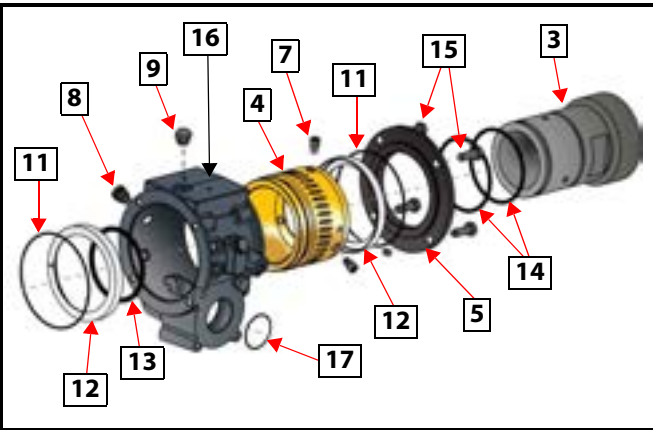
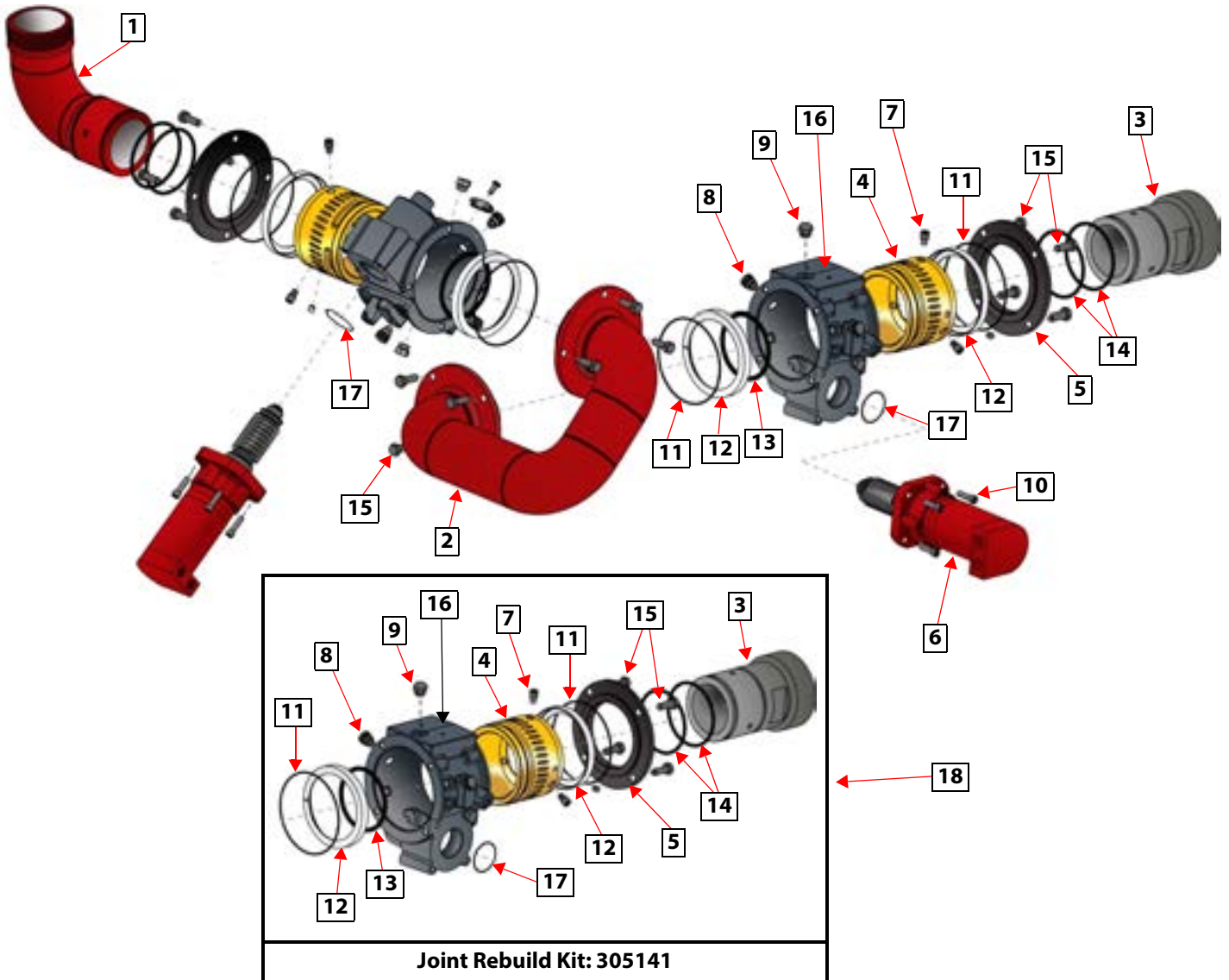
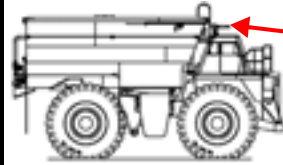
SECTION 3

Water Cannon System

WATER CANNON, REMOTE (HYDRAULIC)

PART NO. 304952

- 450 PSI
- Stainless Steel


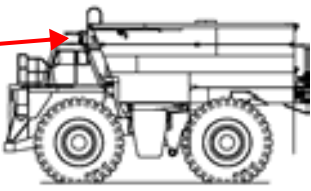


Joint Rebuild Kit: 305141

ITEM	PART NO	DESCRIPTION	QTY	SPARE PART
	304952	WATER CANNON, HYDRAULIC		
1	304627	ELBOW OUTLET, 2.5NH	1	
2	304628	GOOSENECK WELDMENT	1	
3	304629	INLET, 2.5NPT	1	
4	304630	GEAR, WORM BRONZE	2	
5	304631	CAP, JOINT 6061T6	2	
6	304656	MOTOR, HYDRAULIC	2	X
7	304642	STUD SST	6	
8	304632	STOP, 303-304STL	4	
9	304633	PLUG, 1/2-20-1/2" 3578	6	
10	304635	SCREW, SOC HD, 1/4"-20-7/8"	8	
11	304636	O-RING 2-045	4	

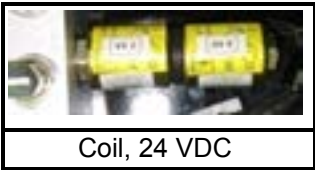
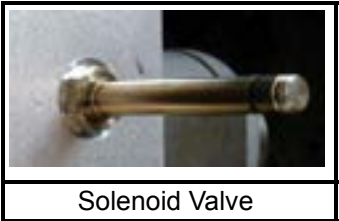
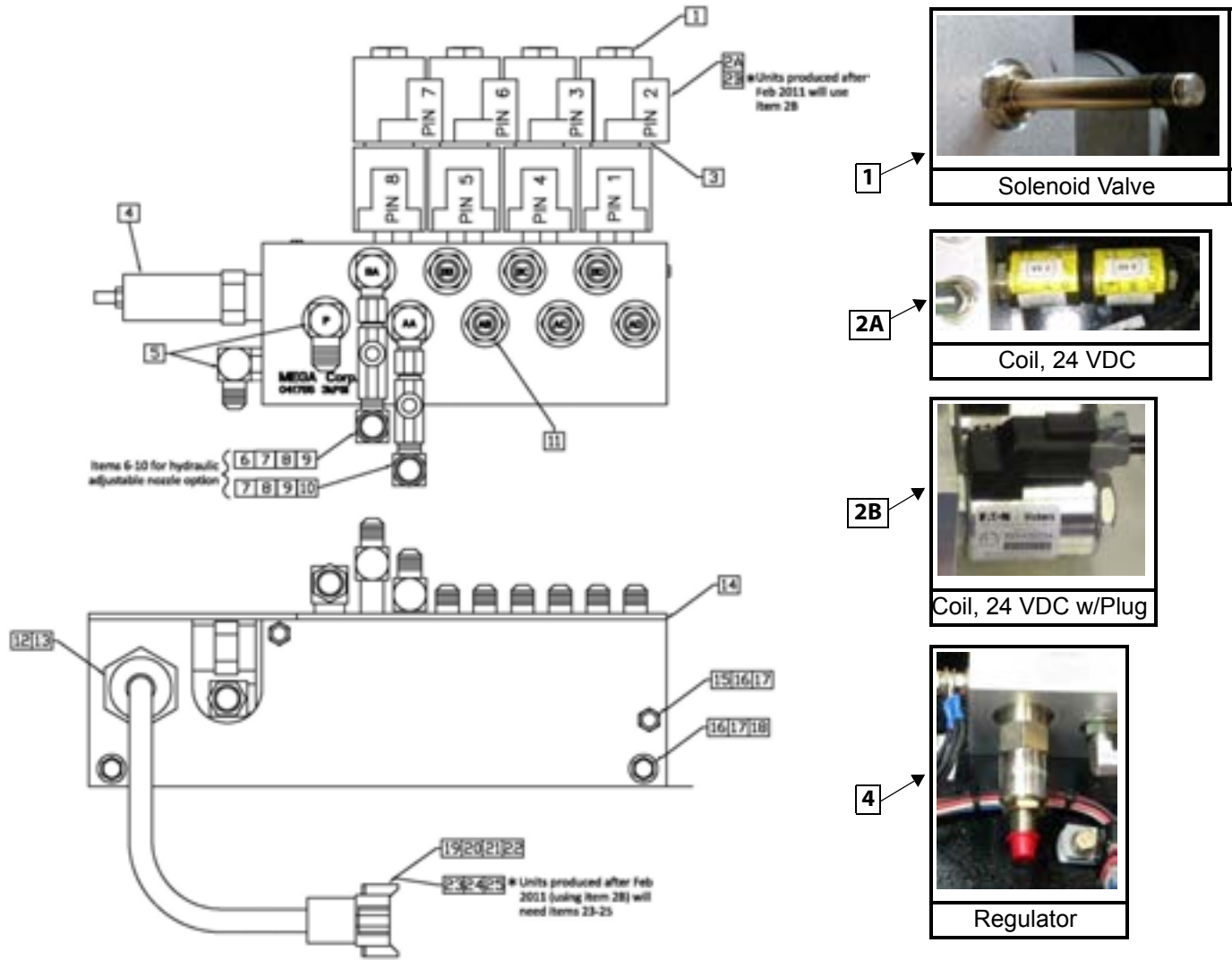
ITEM	PART NO	DESCRIPTION	QTY	SPARE PART
12	304637	BEARING, POLY	4	
13	304638	O-RING, 3 1/4 X 2 7/8	2	
14	304639	O-RING, 3 1/4 X 3	4	
15	304640	SCREW, HEX HD CAP	16	
16	304643	JOINT, MCH/HC	2	
17	304039	O-RING, 2 5/8 x 2 1/2	2	X
18	305141	JOINT (2) REBUILD KIT		X

SECTION 3 Water Cannon System

CONTROL VALVE ASSEMBLY, HYDRAULIC
PART NO. 045080

- Hydraulic Water Cannon Controller
- 550 PSI



ITEM	PART NO	DESCRIPTION	QTY	SPARE PART
	045080	CONTROL BOX ASSY		
	044296	SOLENOID BLOCK ASSY		
1	304858	SOLENOID VALVE, 4W-3P	4	X
2A	304859	COIL, 24VDC	8	X
2B*	305590	COIL, 24VDC W/ CONNECTOR	8	X
3	305147	SPACER, COIL	4	
4	304861	REGULATOR	1	
5	355611	ORB/JIC 4-6 90°	2	
6	355424	JIC/ORB 4-4 90° LONG	1	
7	305902	JIC SWVL/NPT 4-4 0°	2	
8	300283	VALVE, SPEED CONTROL	2	
9	352436	JIC/NPT 2-4 90°	2	
10	352481	JIC/ORB 4-4 90°	1	
11	352601	ORB/JIC 4-4 0°	6	
12	354463	STRAIN RELIEF, 3/4"	1	

ITEM	PART NO	DESCRIPTION	QTY	SPARE PART
13	355023	LOCK NUT, STRAIN RELIEF	1	
14	044218	BOX, MONITOR CONTROL	1	
15		SCREW, CAP 1/4-20-4.5 GR8	2	
16		NUT, 1/4-20 GR8	6	
17		WASHER, 1/4"	12	
18		SCREW, CAP 1/4-20-.75 GR8	4	
19	303248	CABLE, 8 COND 16GA X 36"	1	
20	304286	RECEPTACLE, 8 PIN (DUET.)	1	
21	304386	LOCK, 8 PIN	1	
22	304289	PIN, MALE	8	
23	304285	PLUG, 2 SOCKET	8	
24	304385	LOCK, 2 SOCKET	8	
25	304288	SOCKET, FEMALE	16	

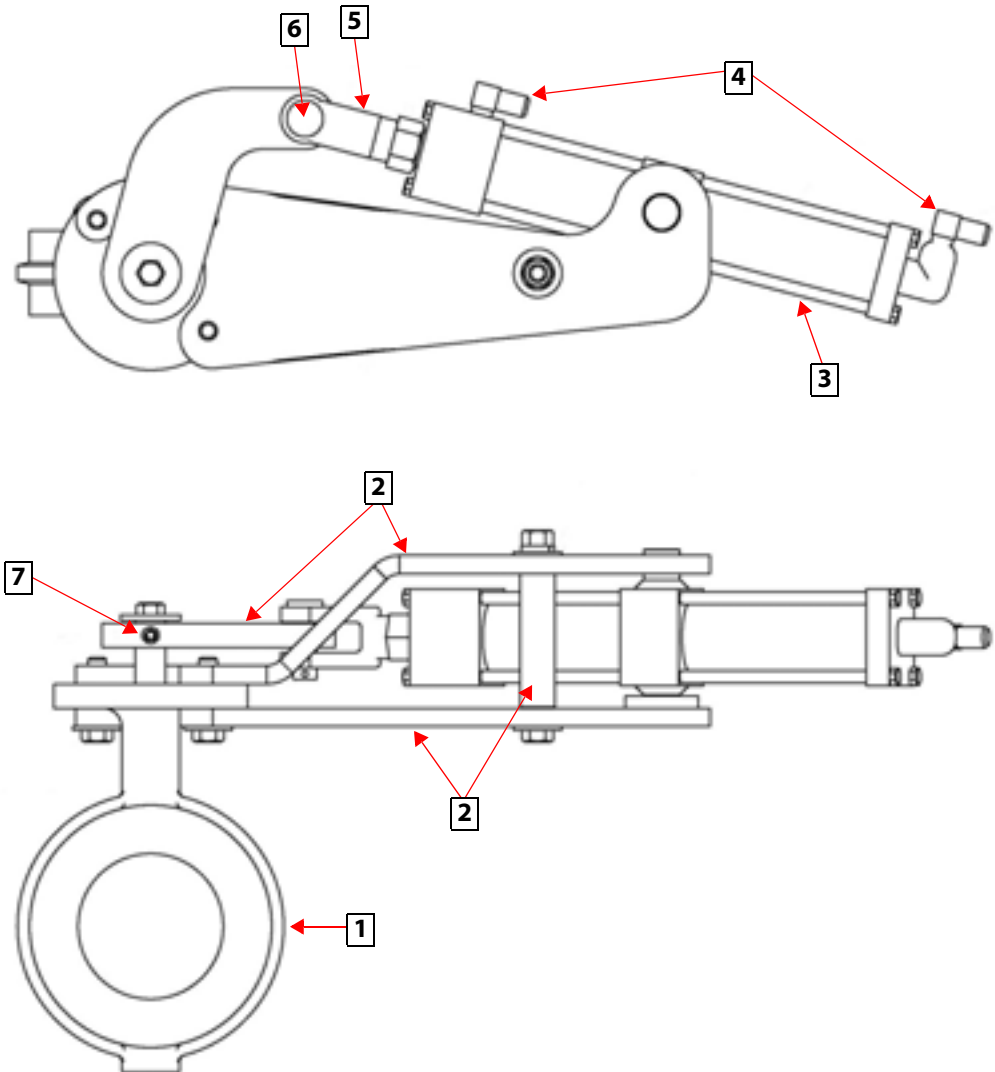
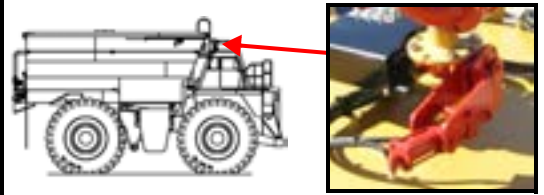
SECTION 3

Water Cannon System

BUTTERFLY VALVE, 3" (WATER CANNON)

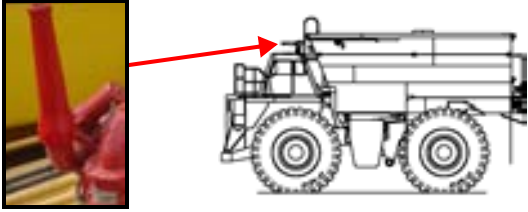
PART NO. 011454

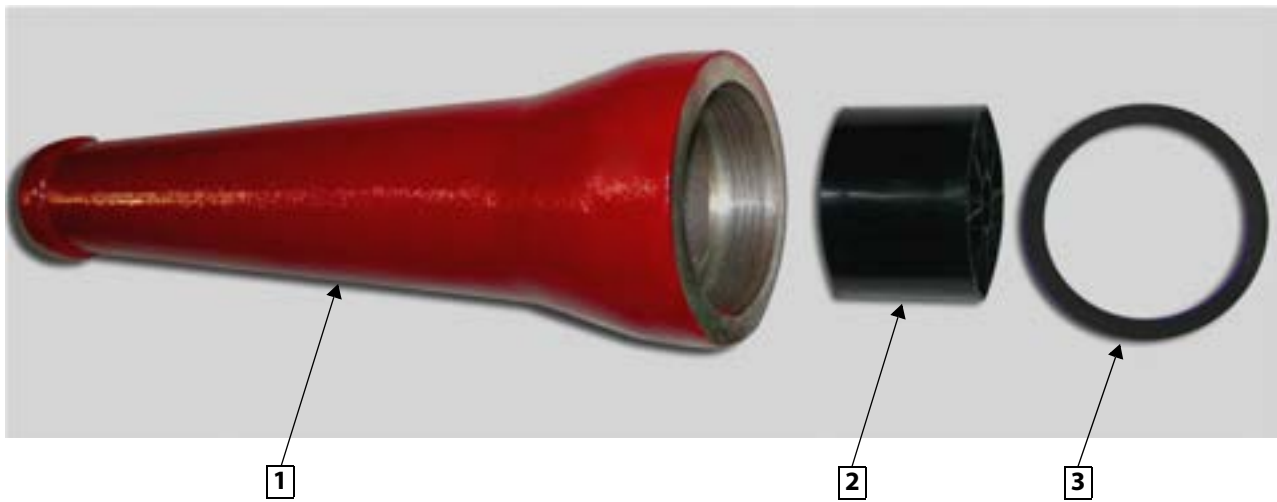
- 3"
- Hydraulic



ITEM	PART NO	DESCRIPTION	QTY	SPARE PART
	011454	BFV ASSEMBLY, 3"		
1	300030	VALVE, BFV 3"	1	X
2	043987	BRACKET, BFV, ASSEMBLY	1	
3	300096	CYLINDER, HYD-#1403	1	
4	352436	AERO-2021-4-4S	2	
5	300467	CLEVIS, 1/2" X 5/8" UNF	1	
6	300099	PIN, CLEVIS	1	
7	352954	SCREW, SET, 1/4 - 20 X 3/8"	1	

SECTION 3 Water Cannon System

		<p>NOZZLE, STRAIGHT BORE</p> <ul style="list-style-type: none"> - 1" and 1.5" - Built-in Stream Shaper - Reach: 145-175 ft.
--	---	---



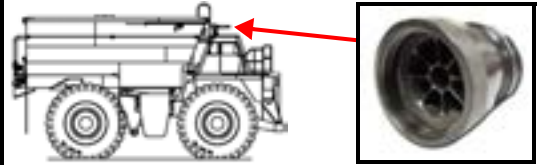
ITEM	PART NO	DESCRIPTION	QTY	SPARE PART
1	300087	NOZZLE, 1.0" ORIFICE		
1	300091	NOZZLE, 1.5" ORIFICE		
2	300822	STREAM SHAPER	1	
3	300823	GASKET	1	

SECTION 3

Water Cannon System

STREAM SHAPER, SHORT (STRAIGHT BORE ONLY)

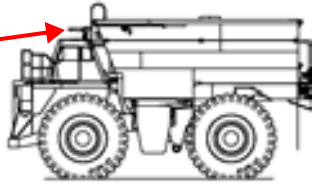
- Increases Straight Bore Performance
- Increases Reach by 20-30%



ITEM	PART NO	DESCRIPTION	QTY	SPARE PART
	304299	STREAM SHAPER, SHORT	1	

SECTION 3

Water Cannon System



NOZZLE, REMOTE ADJUSTABLE (FAN PATTERN)

- 24 Volt DC
- Fan Pattern
- Stream Reach: approximately 140 ft.



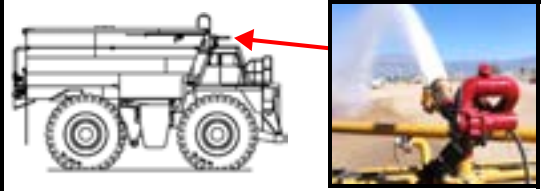
ITEM	PART NO	DESCRIPTION	QTY	SPARE PART
	305151	NOZZLE, REMOTE ADJUSTABLE, FAN	1	

SECTION 3

Water Cannon System

NOZZLE, REMOTE ADJUSTABLE (FOG PATTERN)

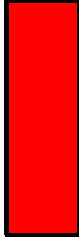

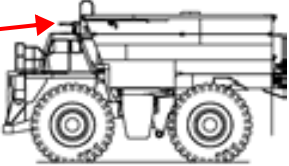
- 24 Volt DC
- Fog Pattern
- Stream Reach: approximately 150 ft.



ITEM	PART NO	DESCRIPTION	QTY	SPARE PART
	305150	NOZZLE, REMOTE ADJUSTABLE, FOG	1	

SECTION 3

Water Cannon System

			<p>NOZZLE, REMOTE ADJ., FOAM (FOG PATTERN)</p> <ul style="list-style-type: none">- 24 Volt DC- Foam Education (1, 3, & 6% proportioning)- Fog Pattern- Stream Reach: approximately 125 ft.
--	---	---	--



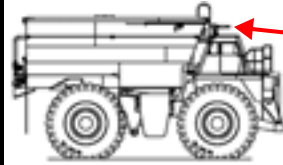
ITEM	PART NO	DESCRIPTION	QTY	SPARE PART
	305149	NOZZLE, ELECTRIC REMOTE ADJ., FOAM	1	

SECTION 3

Water Cannon System

NOZZLE, REMOTE ADJ., FOAM (FOG PATTERN)

- Hydraulic
- Foam Education (1, 3, & 6% proportioning)
- Fog Pattern
- Stream Reach: approximately 150 ft.



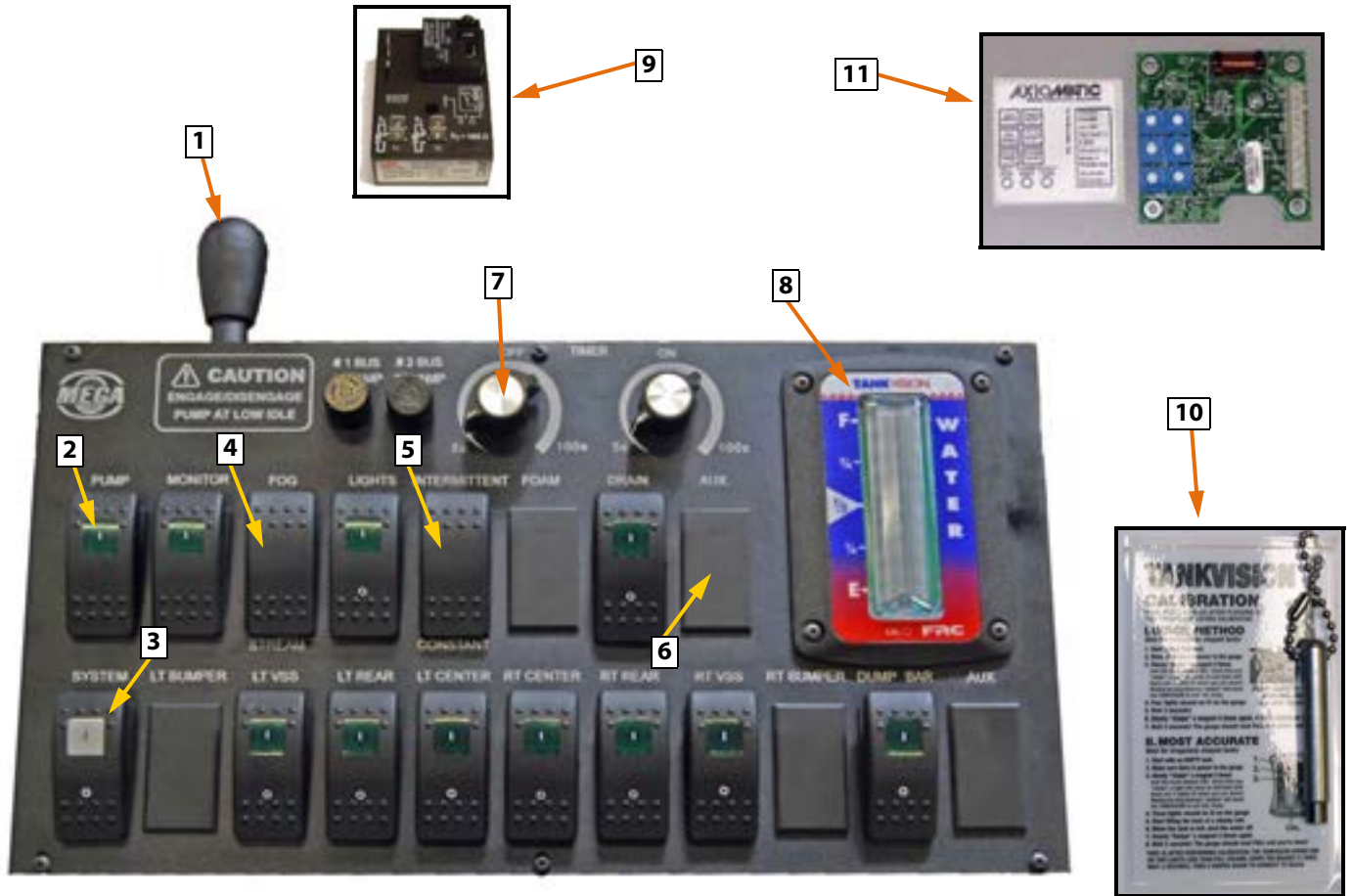
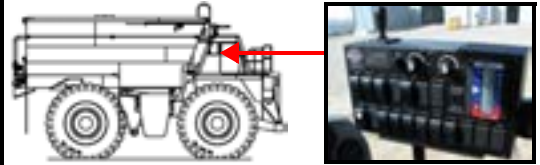
ITEM	PART NO	DESCRIPTION	QTY	SPARE PART
	305876	NOZZLE, HYDRAULIC REMOTE ADJ., FOAM	1	

SECTION 3
Water Cannon System

SECTION 4 Controls and Indicating Systems

CAB CONTROLS, ANALOG (STANDARD)

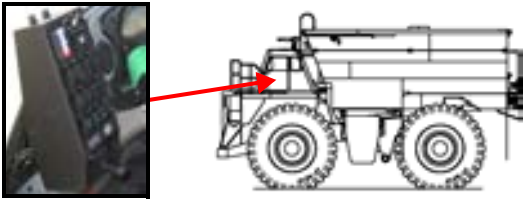
- 6 Spray Heads & Timer
- Water Cannon & Adjust. Nozzle
- Drain & Dump Bar
- Work Lights



ITEM	PART NO	DESCRIPTION	QTY	SPARE PART
	044014	CAB CONTROL, W/ DRIVER CARD		
**	041903	CAB CONTROL, W/O DRIVER CARD		
1	303041	JOYSTICK, UNIVERSAL	1	X
2	305019	SWITCH, GREEN LENS, SPST	11	X
3	305020	SWITCH, WHITE LENS, SPST	1	X
4	305022	SWITCH, MOMENTARY	1	X
5	305021	SWITCH, NO LIGHT, DPDT	8	X
6	303128	COVER, CARLING SWITCH	5	
7	305029	KNOB, POTENTIOMETER	2	X
8	303821	WATER LEVEL INDICATOR	1	
9	304751	TIMER	1	X
10	303824	CALIBRATION TOOL, W.L.	1	
11	305078	DRIVER CARD, SOLENOID	1	

** 041903 DOES NOT INCLUDE ITEM 11 – SOLENOID DRIVER CARD

SECTION 4 Controls and Indicating Systems



CAB CONTROLS, ANALOG (COFFIN STYLE)

- 6 Spray Heads & Timer
- Water Level
- Drain
- Water Cannon & Adjust. Nozzle
- Work Lights



8



9

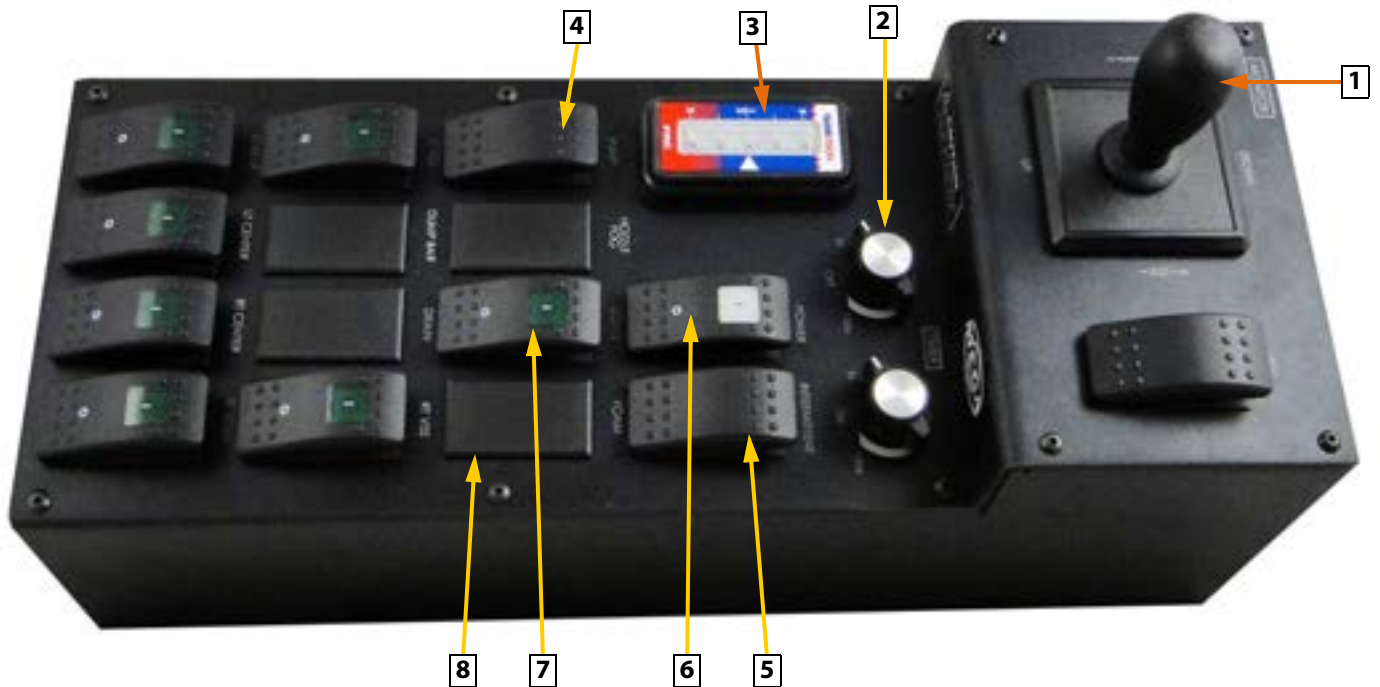
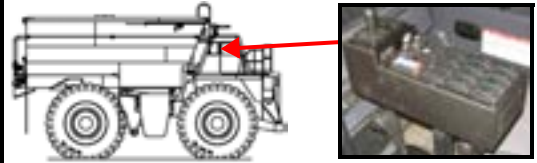


ITEM	PART NO	DESCRIPTION	QTY	SPARE PART
		CAB CONTROL, COFFIN STYLE		
1	305029	KNOB, POTENTIOMETER	2	X
2	305967	INDICATOR, W. L., MINI	1	X
3	305020	SWITCH, WHITE LENS, SPST	1	X
4	305021	SWITCH, NO LIGHT, DPDT	4	X
5	305022	SWITCH, MOMENTARY	1	X
6	305019	SWITCH, GREEN LENS, SPST	9	
7	303041	JOYSTICK, UNIVERSAL	1	
8	304751	TIMER	1	X
9	305078	DRIVER CARD, SOLENOID	1	

SECTION 4 Controls and Indicating Systems


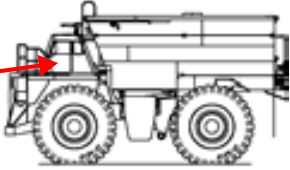
CAB CONTROLS (STEP STYLE)

- 6 Spray Heads & Timer
- Water Level
- Drain & Dump Bar
- Water Cannon & Adjust. Nozzle
- Work Lights



ITEM	PART NO	DESCRIPTION	QTY	SPARE PART
	045562	CAB CONTROL, STEP STYLE		
1	303041	JOYSTICK, UNIVERSAL	1	X
2	305029	KNOB, POTENTIOMETER	2	X
3	305967	INDICATOR, W. L., MINI	1	
4	305022	SWITCH, MOMENTARY	1	X
5	305021	SWITCH, NO LIGHT, DPDT	4	X
6	305020	SWITCH, WHITE LENS, SPST	1	X
7	305019	SWITCH, GREEN LENS, SPST	9	X
8	303128	COVER, CARLING SWITCH	4	
9	304751	TIMER	1	X
10	305078	DRIVER CARD, SOLENOID	1	

SECTION 4 Controls and Indicating Systems

CAB CONTROLS, DIGITAL

- 6 Spray Heads & Timer
- Water Level
- Water Cannon & Adj. Nozzle
- Work Lights
- Compatible with GPS

CONTACT MEGA PRODUCT SUPPORT W/TANK SERIAL NO.

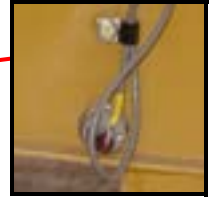
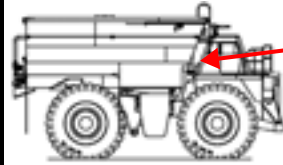


ITEM	PART NO	DESCRIPTION	QTY	SPARE PART
1	306401	SWITCH BOX, MASTER	1	
2	306402	SWITCH BOX, JOYSTICK	2	
3	306406	SWITCH, GREEN		
4	306407	SWITCH, RED		
5	306408	SWITCH, BLACK, ROCKER		
6	306418	SWITCH, AMBER		
7	306409	SWITCH, COVER		
8	046057	CABLE ASSY, LIN, 72"		
9	046059	CABLE ASSY, LIN, 45'		
10	306761	CABLE ASSY, POWER, 10'		

SECTION 4 Controls and Indicating Systems

WATER LEVEL SYSTEM (ANALOG)

- Pressure Sensing
- 120" and below
- 24 VDC



← 1



← 2




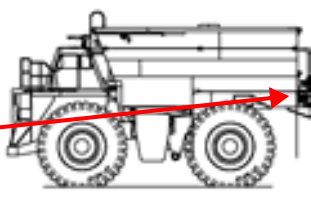
← 3

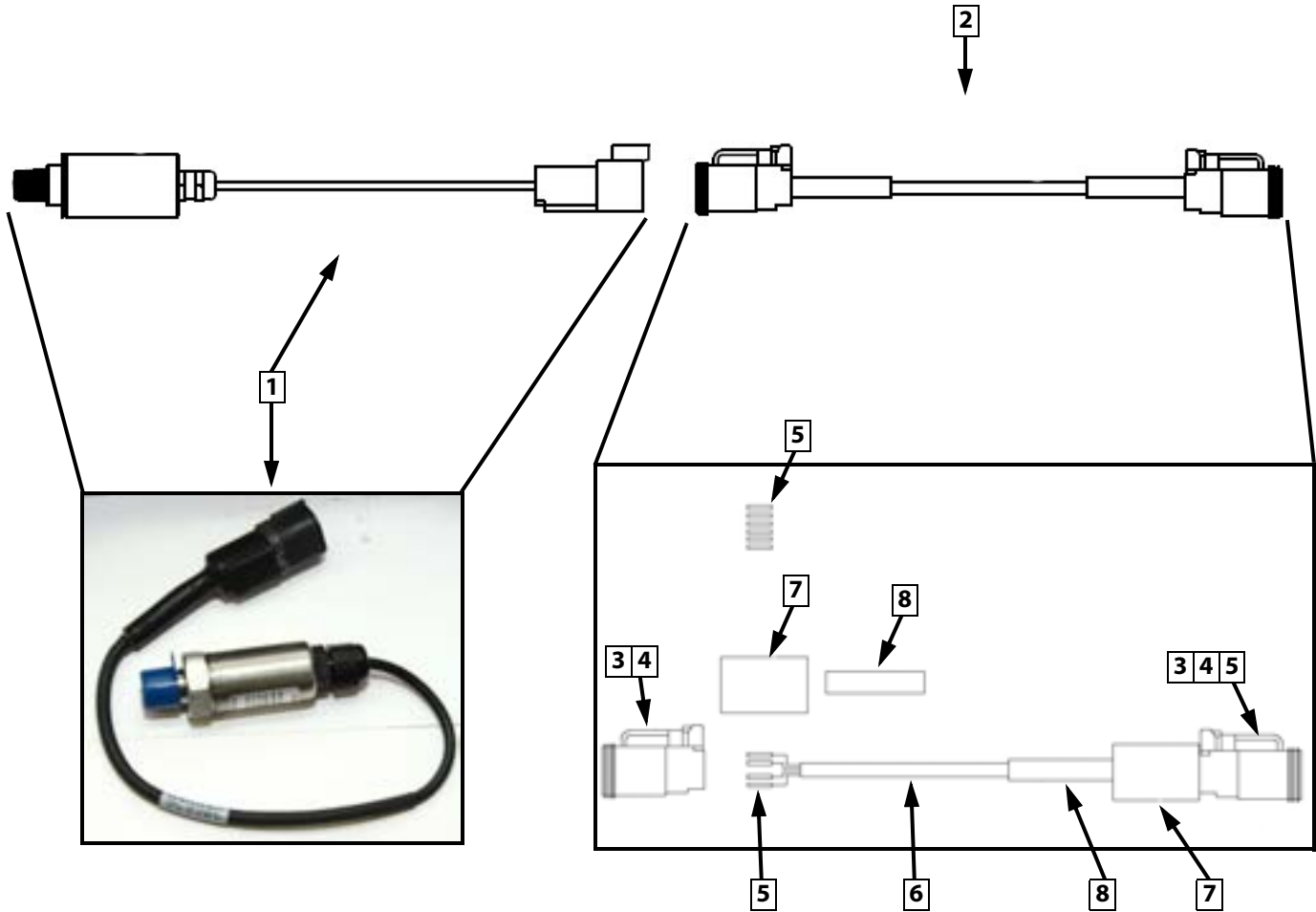


← 4

ITEM	PART NO	DESCRIPTION	QTY	SPARE PART
1	303822	SENSOR, WATER LEVEL, <120	1	X
2	303821	WATER LEVEL INDICATOR	1	
3	304591	CABLE, WATER LEVEL 20'	1	
4	303824	CALIBRATION TOOL, W.L.	1	

SECTION 4 Controls and Indicating Systems

		<p>WATER LEVEL SYSTEM (DIGITAL)</p> <ul style="list-style-type: none"> - Pressure Sensing - 120" and below - 24 VDC
---	---	---

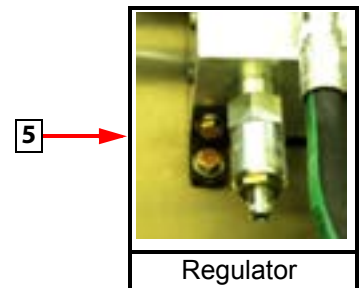
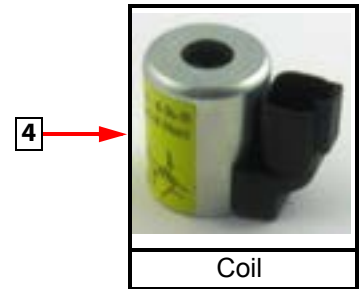
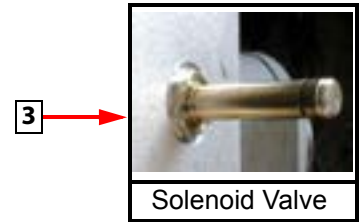
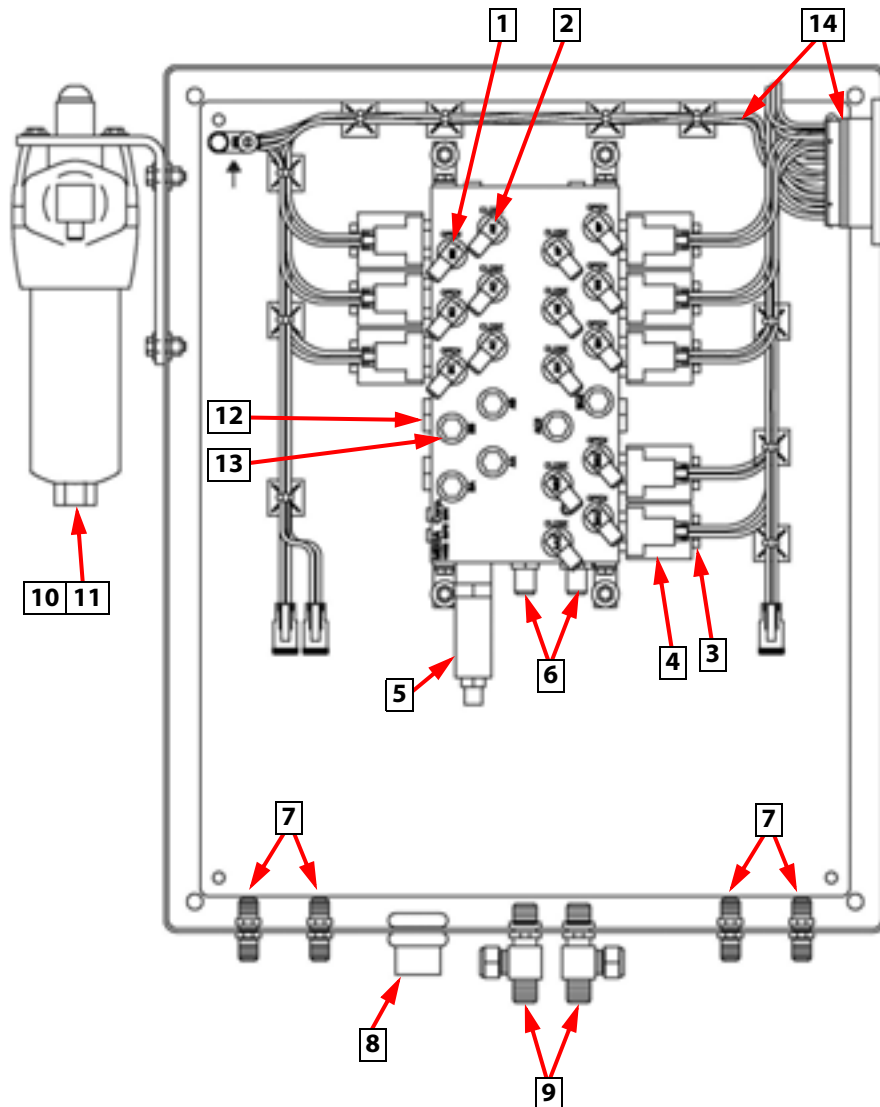
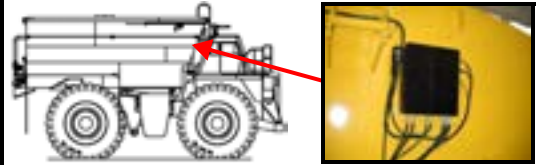


ITEM	PART NO	DESCRIPTION	QTY	SPARE PART
1	306626	WLI SENSOR W/4PIN RECP.	1	X
2	046786	CABLE ASSY, EXTN, WLI 60'	1	
3	306614	PLUG, DTM SERIES 4 CONTACT	2	
4	306615	SECONDARY WEDGE LOCK, 4SOCKET	2	
5	306616	SOCKET, CONTACT SIZE 20	14	
6	306381	CABLE, 3+DRAIN 18GA	60ft	
7	304727	HEATSHRINK, 3/4" BLACK	1	
8	305271	HEATSHRINK, 1/4" BLACK	1	

SECTION 4 Controls and Indicating Systems

SOLENOID CONTROL BOX, HYDRAULIC (ANALOG)

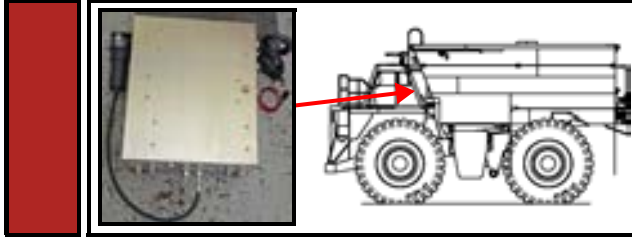
- Spray Head Pressure (550 PSI)
- BFV Pressure (2000 PSI)



ITEM	PART NO	DESCRIPTION	QTY	SPARE PART
1	352481	ADP, JIC/ORB 4-4 90°	8	
2	355424	ADP, JIC/ORB 4-4 90° LONG	8	
3	305156	SOLENOID VALVE	8	X
4	305590	COIL, 24 VDC W/ CONNECTOR	8	X
5	304861	REGULATOR	1	X
6	352606	ADP. JIC/ORB 6-6 0°	2	
7	352641	ADP. BULKHEAD JIC 4-4	16	
8	305880	DRAIN, CONDENSATION	1	
9	354065	TEE, BULKHEAD JIC 6-6-6	2	
10	305277	FILTER HOUSING	1	
11	305276	FILTER, REPLACEMENT	1	X

ITEM	PART NO	DESCRIPTION	QTY	SPARE PART
12	304860	PLUG, E05 MANIFOLD PORT	3	
13	353475	PLUG, #4 ORB	6	
14	044740	CABLE ASSEMBLY, MASTER	1	
15	305918	FILTER REPAIR KIT	1	X

SECTION 4 Controls and Indicating Systems

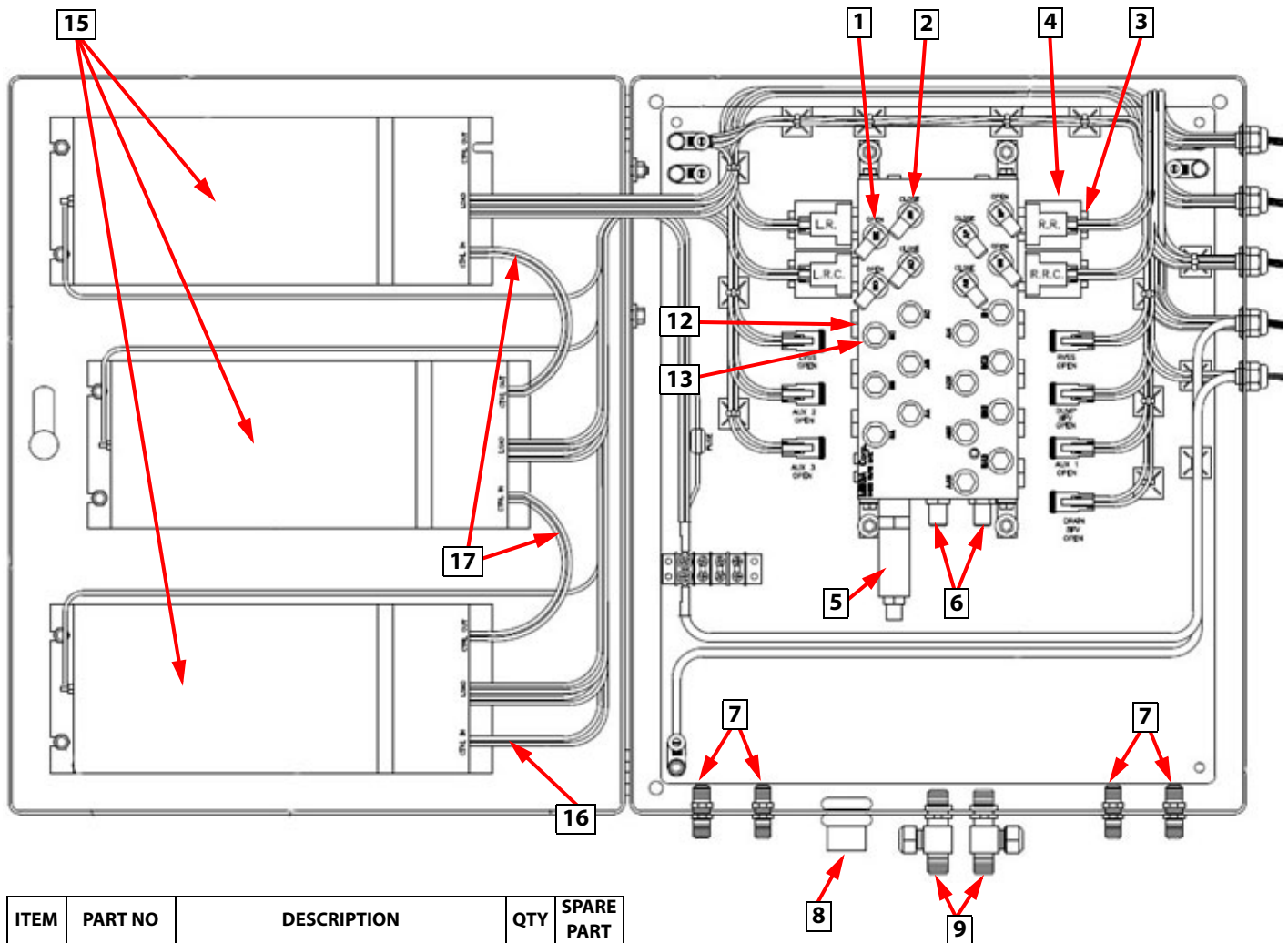


SOLENOID CONTROL BOX, HYDRAULIC (DIGITAL)

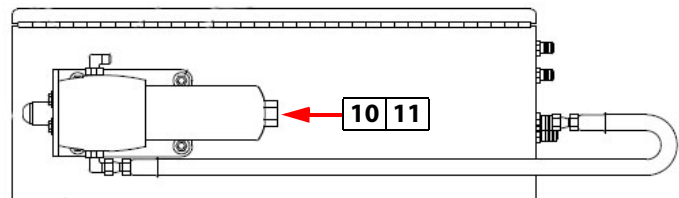
PAGE 1 OF 2

- Spray Head Pressure (550 PSI)
- BFV Pressure (2000 PSI)

CONTACT MEGA PRODUCT SUPPORT WITH TANK SERIAL NO.



ITEM	PART NO	DESCRIPTION	QTY	SPARE PART
1	352481	ADP, JIC/ORB 4-4 90°	8	
2	355424	ADP, JIC/ORB 4-4 90° LONG	8	
3	305156	SOLENOID VALVE	8	X
4	305590	COIL, 24 VDC W/ CONNECTOR	8	X
5	304861	REGULATOR	1	X
6	352606	ADP, JIC/ORB 6-6 0°	2	
7	352641	ADP, BULKHEAD JIC 4-4	16	
8	305880	DRAIN, CONDENSATION	1	
9	354065	TEE, BULKHEAD JIC 6-6-6	2	
10	305277	FILTER HOUSING	1	
11	305276	FILTER, REPLACEMENT	1	X
12	304860	PLUG, E05 MANIFOLD PORT	3	
13	353475	PLUG, #4 ORB	6	
14	305918	FILTER REPAIR KIT	1	X
15	306662	CONTROLLER	3	X
16	046061	CABLE ASSEMBLY LIN, 84"		
17	046060	CABLE ASSEMBLY LIN, 8"		



14 → **Filter Repair Kit – 305918**
Items: 10, 11

SECTION 4

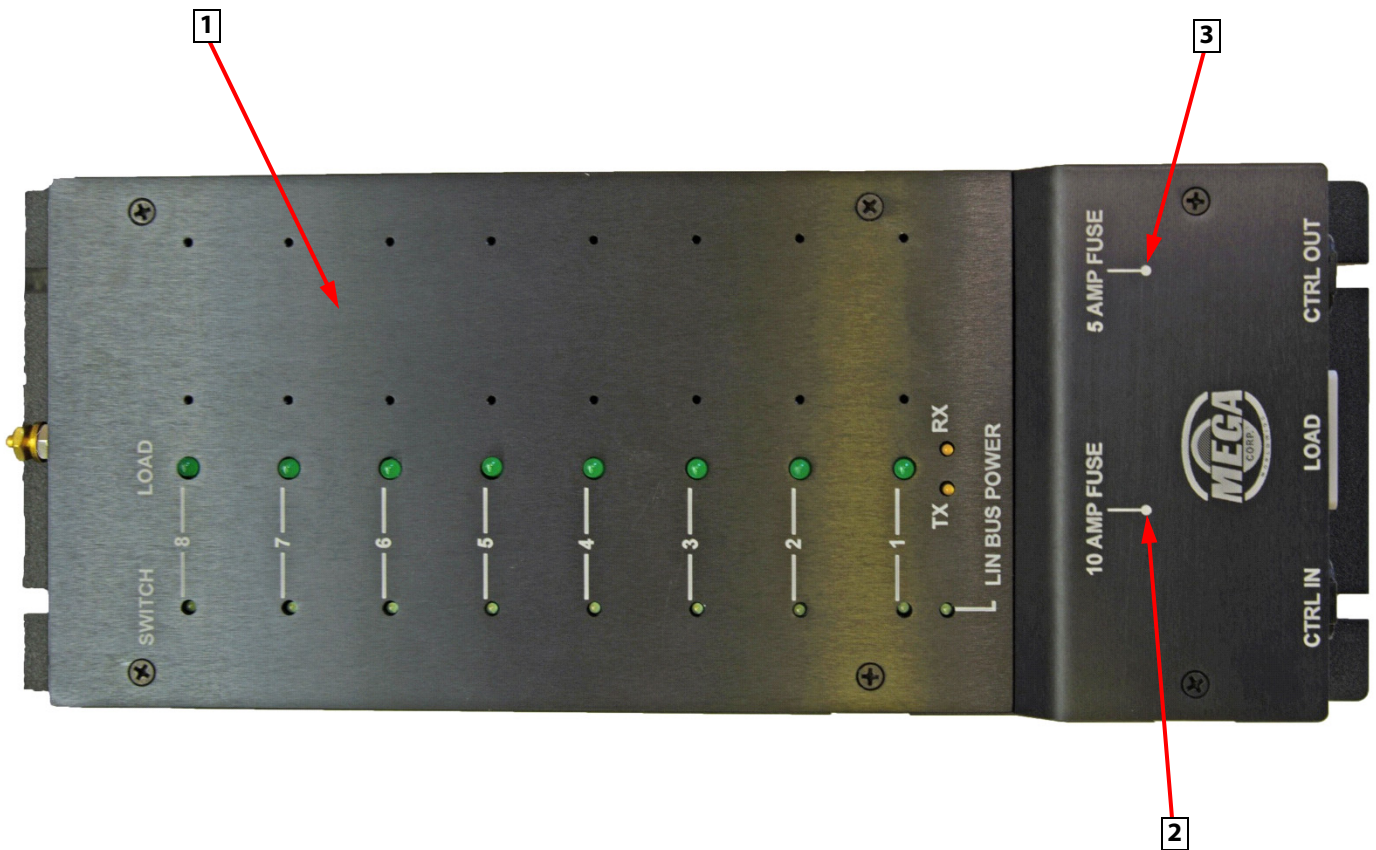
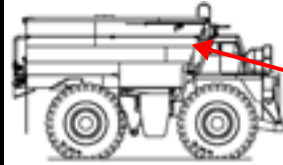
Controls and Indicating Systems

SOLENOID CONTROL BOX, HYDRAULIC (DIGITAL)

PAGE 2 OF 2

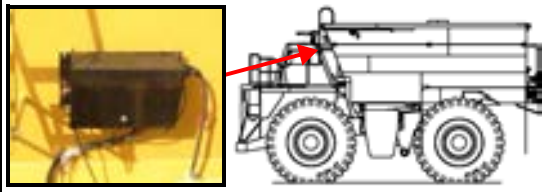
CONTROLLER, PART NO. 306662

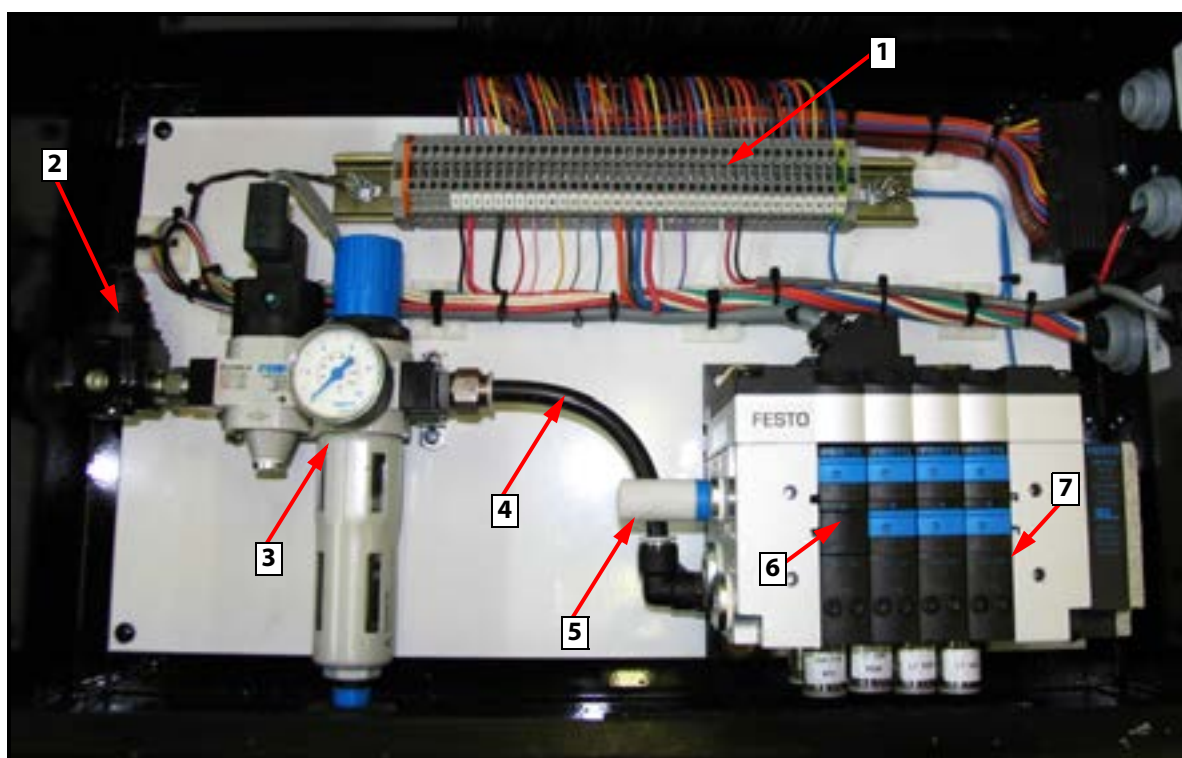
CONTACT MEGA PRODUCT SUPPORT WITH TANK SERIAL NO.



ITEM	PART NO	DESCRIPTION	QTY	SPARE PART
1	306662	CONTROLLER	3	X
2	306524	FUSE 10AMP, BLADE, LARGE (NOT SHOWN)	8	X
3	306525	FUSE 5AMP, BLADE, LARGE (NOT SHOWN)	8	X

SECTION 4 Controls and Indicating Systems

	<p>SOLENOID CONTROL BOX, PNEUMATIC (TYPICAL)</p> <ul style="list-style-type: none"> - 24 Volt DC - 60-100 PSI
---	--



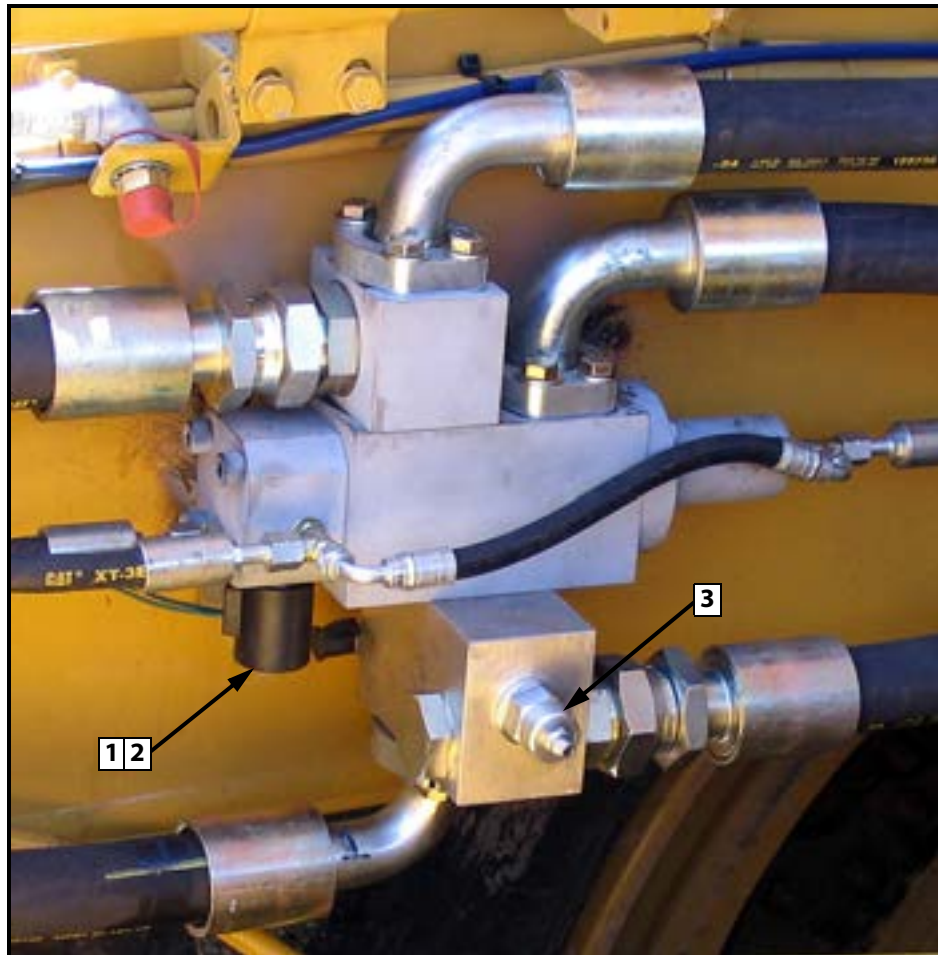
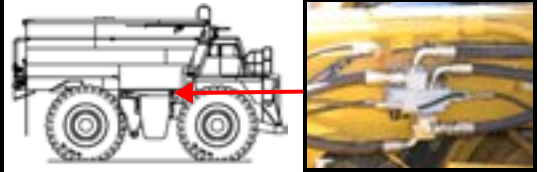
ITEM	PART NO	DESCRIPTION	QTY	SPARE PART
1	303827	TERMINAL	40	
2	300945	VALVE, PRESSURE PROTECTION	1	
3	304945	AIR REG/SHUTOFF VALVE	1	
4	351141	TUBING	1	
5	304947	MUFFLER	1	
6	304948	VALVE, 4-WAY, N.C. (BFV)	1	X
7	304929	VALVE, 3-WAY, N.C. (SPRAY HD)	3	X

SECTION 4

Controls and Indicating Systems

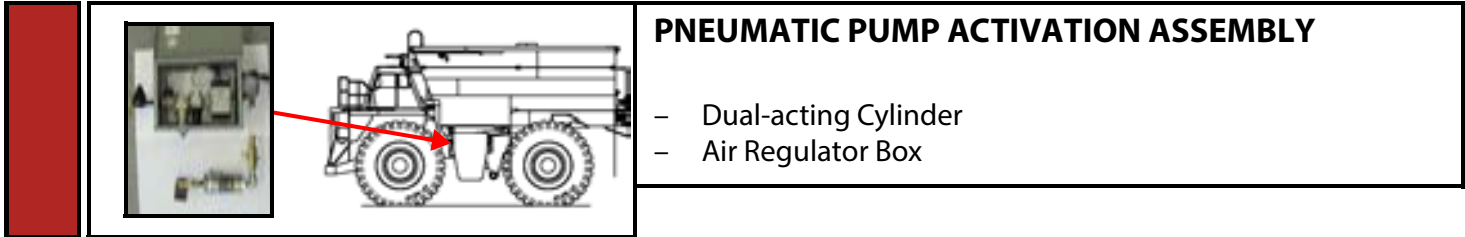
3-WAY HYDRAULIC CONTROL VALVE

- Pilot-operated (Water Pump Control)
- 2000 PSI



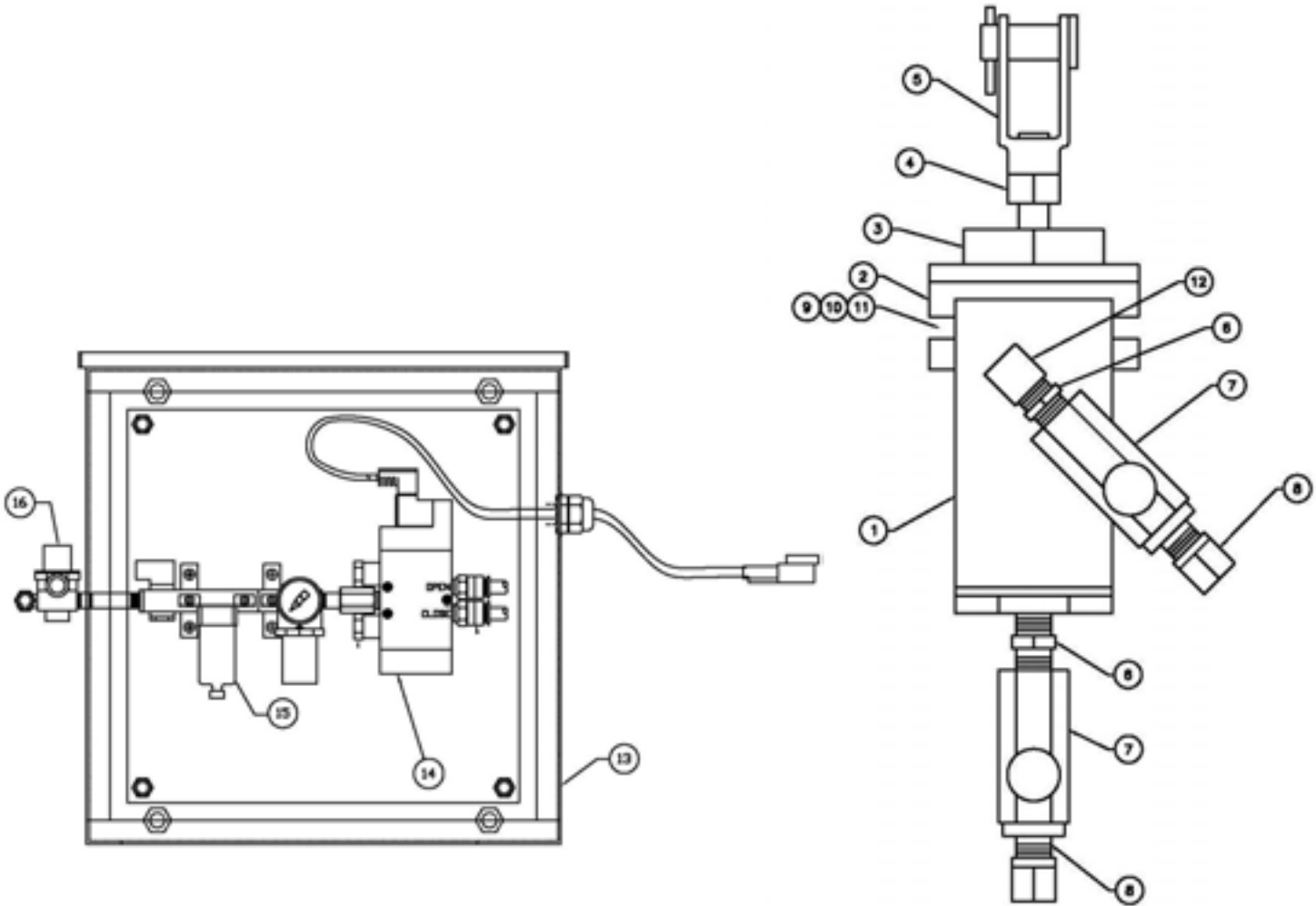
ITEM	PART NO	DESCRIPTION	QTY	SPARE PART
	041436	3-WAY VALVE ASSEMBLY		
1	305765	SOLENOID VALVE	1	
2	304815	COIL, 24 VDC	1	
3	304247	VALVE, RELEASE CARTRIDGE	1	

SECTION 4 Controls and Indicating Systems



PNEUMATIC PUMP ACTIVATION ASSEMBLY

- Dual-acting Cylinder
- Air Regulator Box



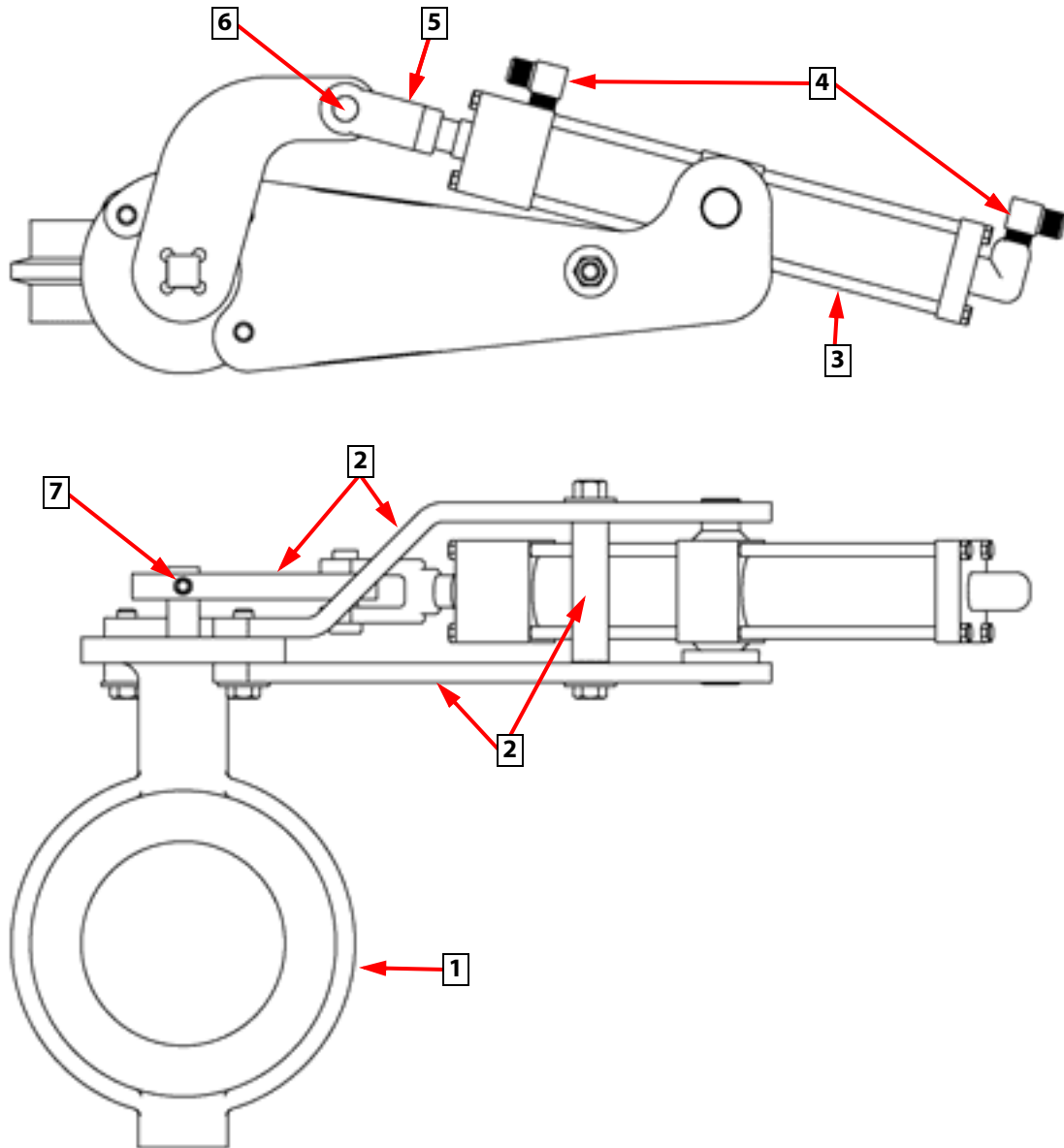
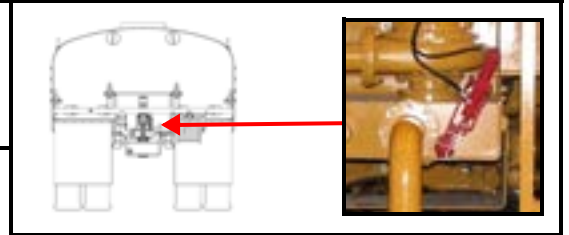
ITEM	PART NO	DESCRIPTION	QTY	SPARE PART
	045197	PNEUMATIC ACTIVATION ASSY	1	
1	302807	BIMBA AIR CYLINDER	1	X
2	300323	MOUNTING BRACKET	1	
3	300322	HEX NUT, 1 1/2"	1	
4	350027	HEX NUT, 1/2"	1	
5	300160	CLEVIS ASSEMBLY	1	
6	352467	ADAPTER	2	
7	300283	SPEED CONTROL	2	X
8	351066	1/4" X 3/8" CONNECTOR	2	
9	350061	BOLT, 1/4" X 1"	2	
10	350014	LOCK WASHER, 1/4"	2	
11	350023	HEX NUT, 1/4"	2	

ITEM	PART NO	DESCRIPTION	QTY	SPARE PART
12	352890	PIPE/PIPE, 90°	1	
13	045102	PNEUMATIC REGULATOR BOX	1	
14	305056	SOLENOID VALVE ASSEMBLY	1	
15	303850	FILTER & REGULATOR COMBO	1	
16	300945	VALVE, PRESSURE PROTECTION	1	

SECTION 5 Butterfly Valves (BFV)

BUTTERFLY VALVE, 4" (DUMP BAR)

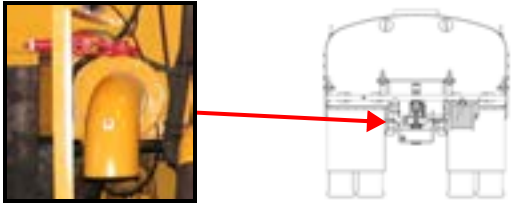
- 4"
- Hydraulic

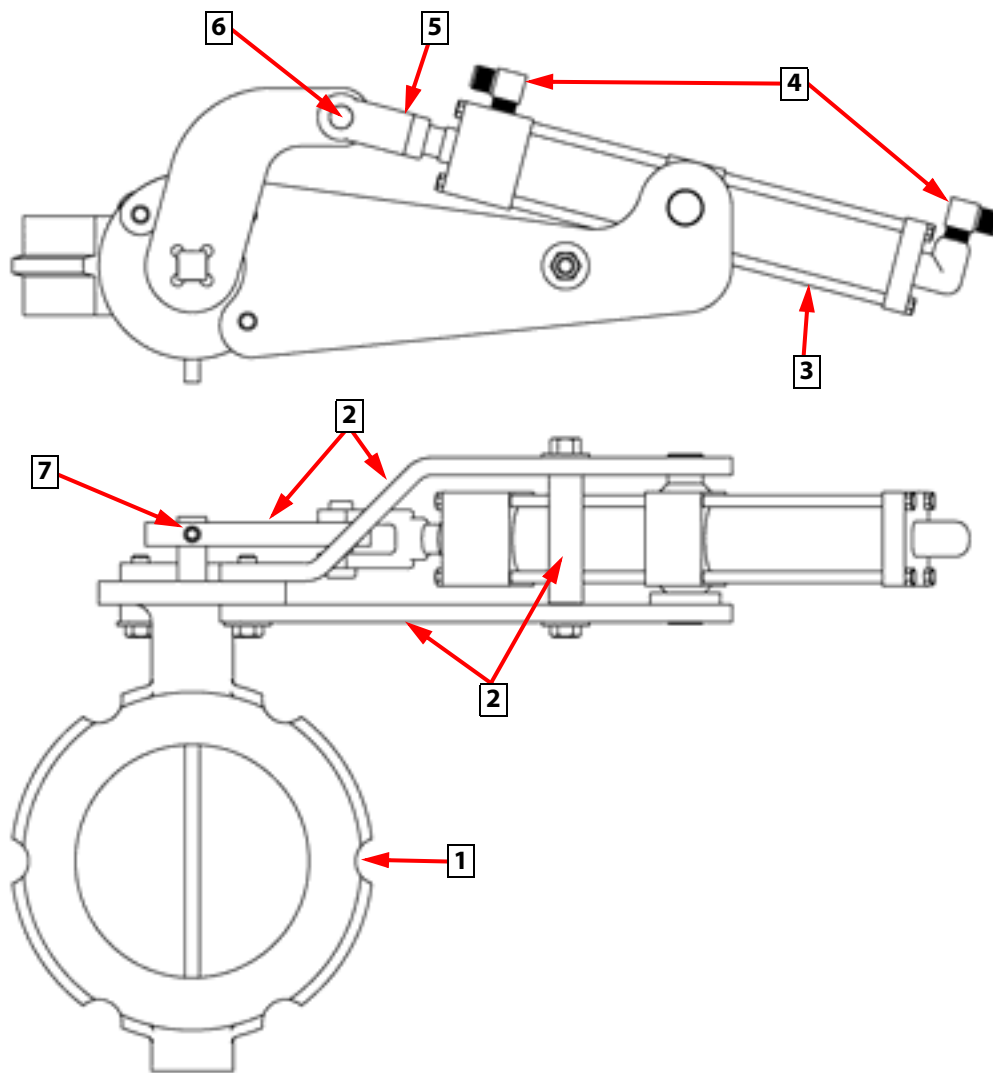


ITEM	PART NO	DESCRIPTION	QTY	SPARE PART
	029825	BFV ASSEMBLY, 4"		
1	300031	VALVE, BFV 4"	1	X
2	043987	BRACKET, BFV, ASSEMBLY	1	
3	300096	CYLINDER, HYD-#1403	1	
4	352436	AERO-2021-4-4S	2	
5	300467	CLEVIS, 1/2" X 5/8" UNF	1	
6	300099	PIN, CLEVIS	1	
7	352954	SCREW, SET, 1/4 - 20 X 3/8"	1	

SECTION 5

Butterfly Valves (BFV)

		<p>BUTTERFLY VALVE, 5" (TANK DRAIN)</p> <ul style="list-style-type: none"> - 5" - Hydraulic
--	---	--

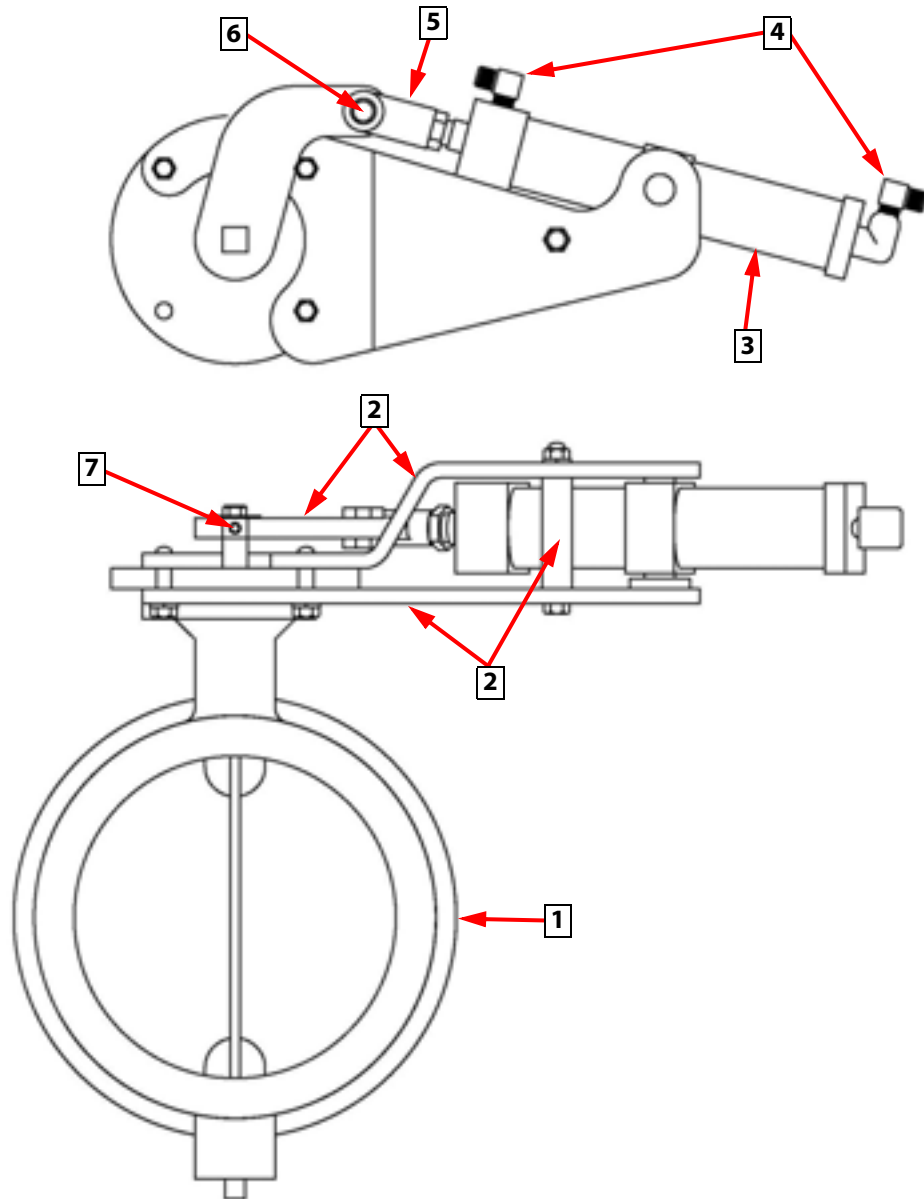
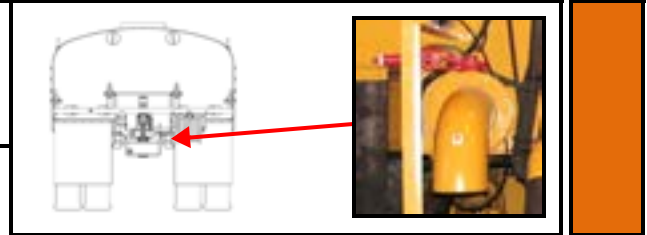


ITEM	PART NO	DESCRIPTION	QTY	SPARE PART
	036744	BFV ASSEMBLY, 5"		
1	300032	VALVE, BFV 5"	1	X
2	043987	BRACKET, BFV, ASSEMBLY	1	
3	300096	CYLINDER, HYD-#1403	1	
4	352436	AERO-2021-4-4S	2	
5	300467	CLEVIS, 1/2" X 5/8" UNF	1	
6	300099	PIN, CLEVIS	1	
7	352954	SCREW, SET, 1/4 - 20 X 3/8"	1	

SECTION 5 Butterfly Valves (BFV)

BUTTERFLY VALVE, 8" (TANK DRAIN)

- 8"
- Hydraulic



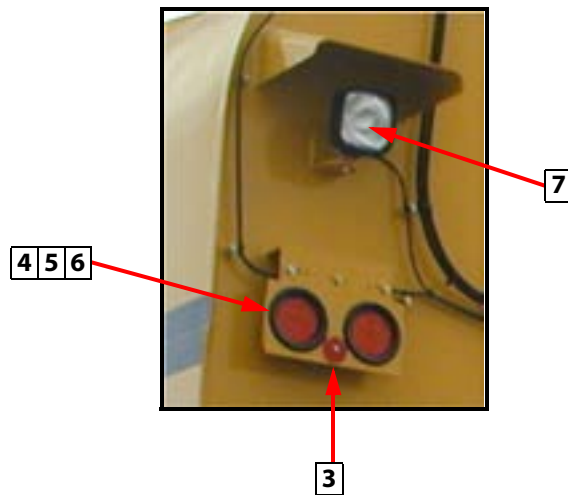
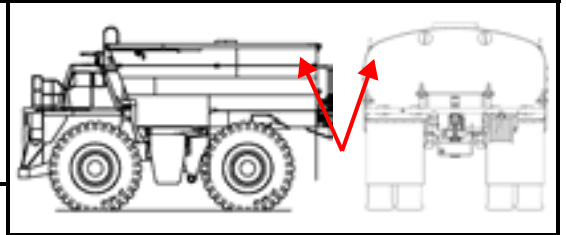
ITEM	PART NO	DESCRIPTION	QTY	SPARE PART
	041368	BFV ASSEMBLY, 8"		
1	300035	VALVE, BFV 8"	1	X
2	352436	AERO-2021-4-4S	2	
3	300096	CYLINDER, HYD-#1403	1	
4	041369	BRACKET, BFV, ASSEMBLY	1	
5	300467	CLEVIS, 1/2" X 5/8" UNF	1	
6	300099	PIN, CLEVIS	1	
7	352954	SCREW, SET, 1/4 - 20 X 3/8"	1	

SECTION 5
Butterfly Valves (BFV)

SECTION 6 Miscellaneous

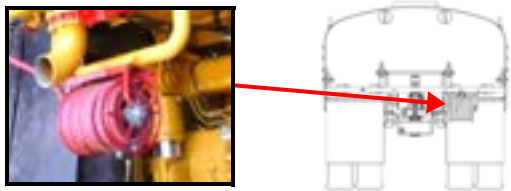
LIGHTS

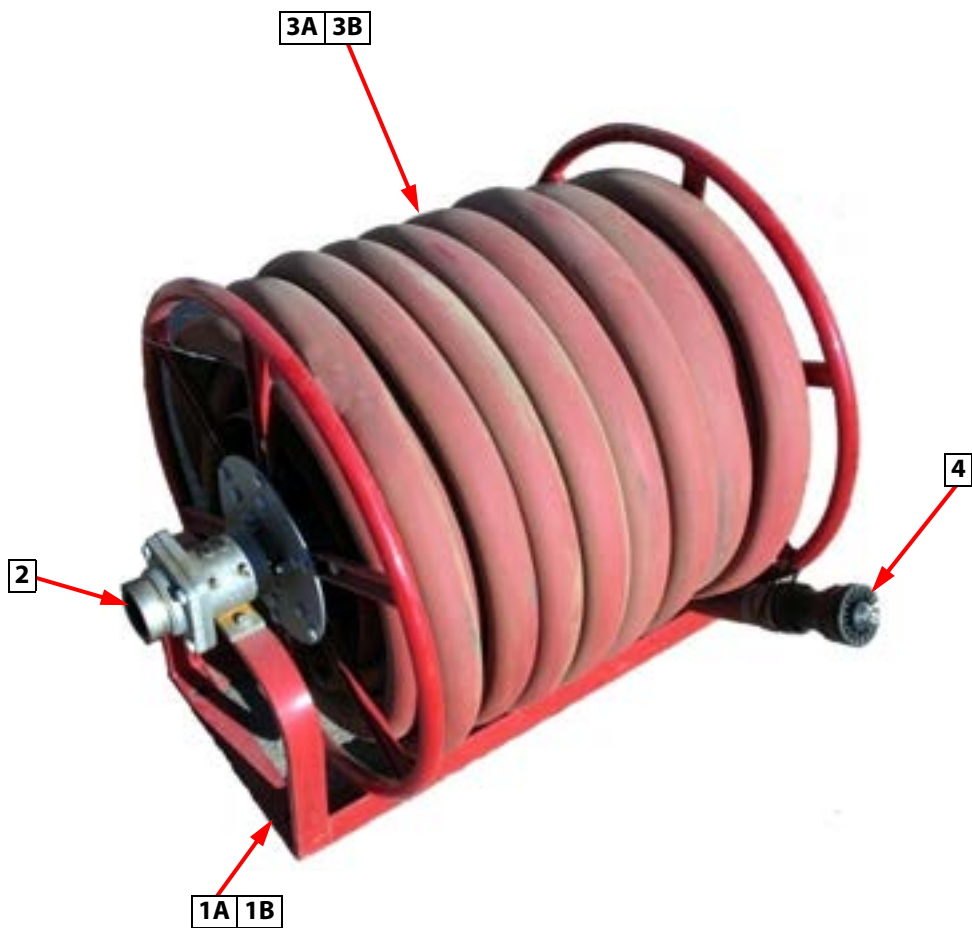
- LED
- 24 Volt DC
- Brake
- Clearance
- Work



ITEM	PART NO	DESCRIPTION	QTY	SPARE PART
1	355374	LIGHT, LED, RED	2	
2	355375	LIGHT, LED, AMBER	2	
3	300154	MODULE, LIGHT	2	
4	305049	LIGHT, 24 VDC LED, RED	4	
5	305376	GROMMET, LED LIGHT	4	
6	305377	PIGTAIL, LED LIGHT	4	
7	300777	LIGHT, WORK, WHITE	2	

SECTION 6 Miscellaneous

		<p>HOSE REEL, 1.5" (100' OR 50' HOSE)</p> <ul style="list-style-type: none"> - 1.5" Hose Diameter - 100' or 50' Hose Length
--	---	--

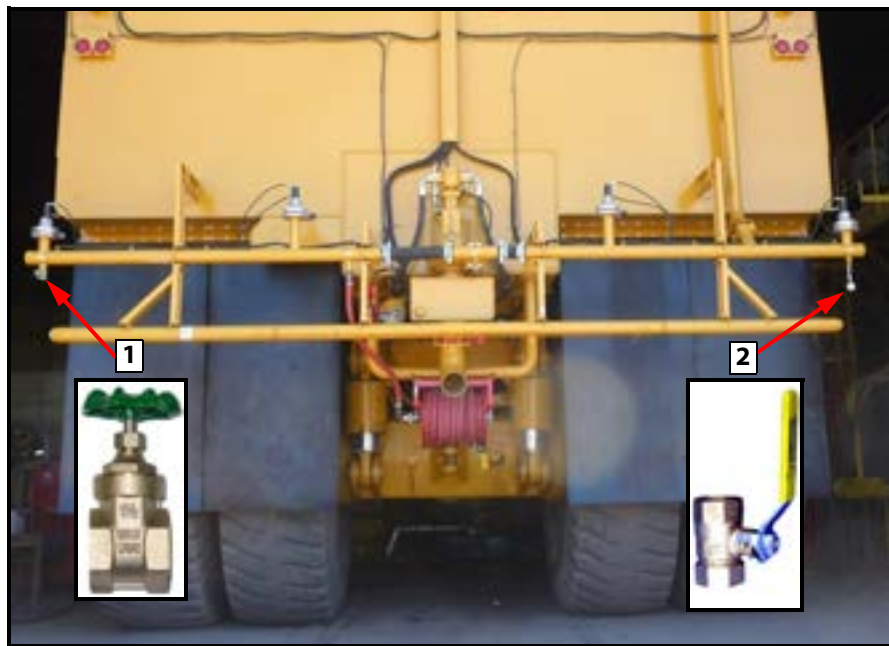
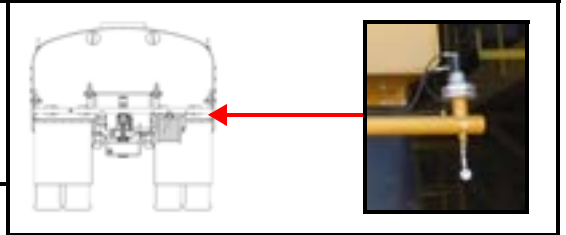


ITEM	PART NO	DESCRIPTION	QTY	SPARE PART
1A	304846	HOSE REEL ASSEMBLY 100'	1	
1B	304847	HOSE REEL ASSEMBLY 50'	1	
2	300774	ADAPTER, 1.5" NPT-1.5" NST	1	
3A	303051	HOSE ASSY, 1.5" X 100 W/ENDS	1	
3B	303049	HOSE ASSY, 1.5" X 50 W/ENDS	1	
4	300266	NOZZLE, ADJUSTABLE 1.5"	1	

SECTION 6 Miscellaneous


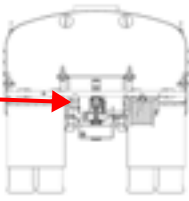
VALVE, SHUT-OFF, WATER

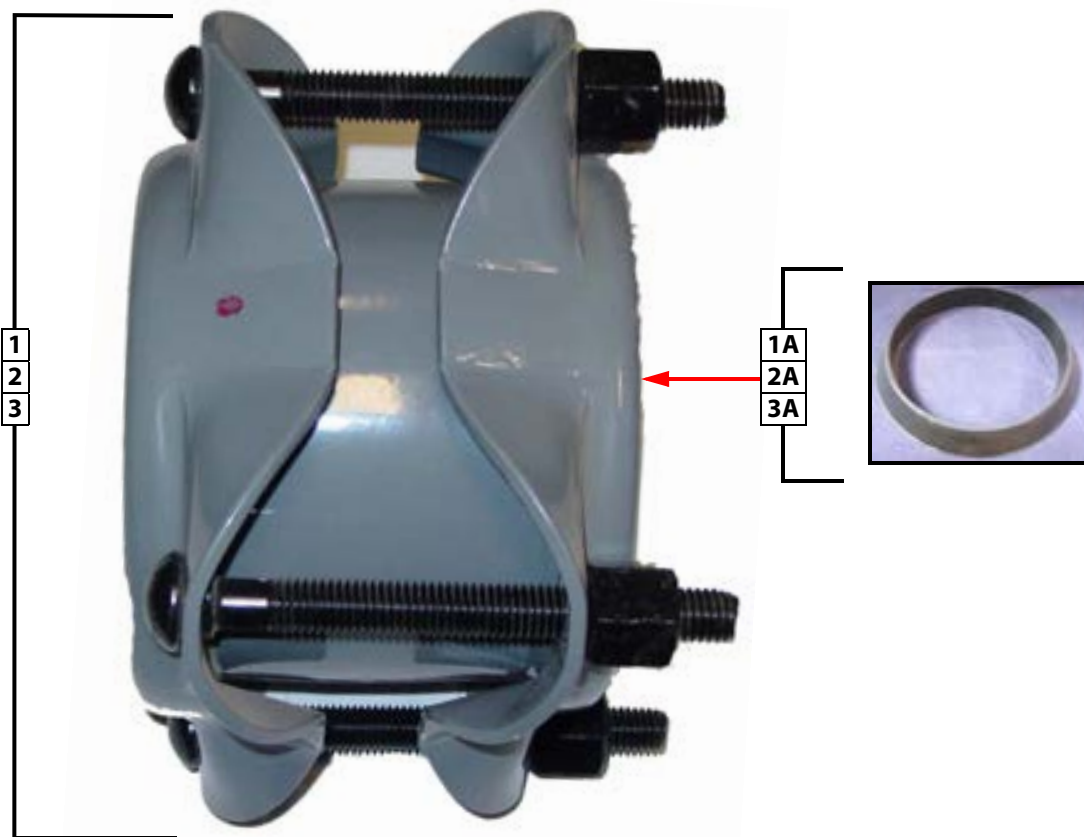
- Spray Bar
- Drain Bar



ITEM	PART NO	DESCRIPTION	QTY	SPARE PART
1	300106	VALVE, GATE 1.5"	1	X
2	300627	VALVE, BALL 3/4"		X

SECTION 6 Miscellaneous

			<p>COUPLING, PIPE, WATER</p> <ul style="list-style-type: none"> - 4" Pipe - 5" Pipe - 6" Pipe
--	---	---	---

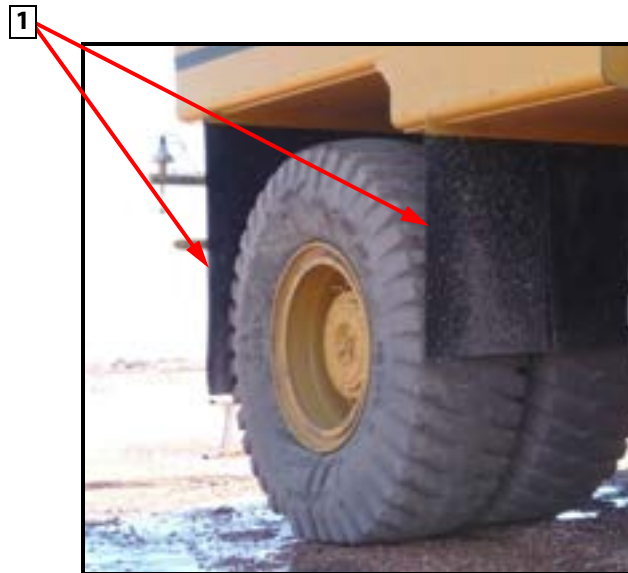
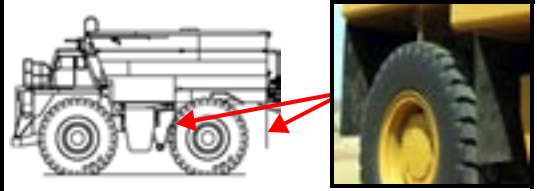


ITEM	PART NO	DESCRIPTION	QTY	SPARE PART
1	300024	COUPLING, PIPE, 4"	1	
1A	300820	SEAL, COUPLING, 4"	2	X
2	300025	COUPLING, PIPE, 5"	1	
2A	300821	SEAL, COUPLING, 5"	2	
3	300026	COUPLING, PIPE, 6"	1	
3A	301175	SEAL, COUPLING, 6"	2	

SECTION 6 Miscellaneous

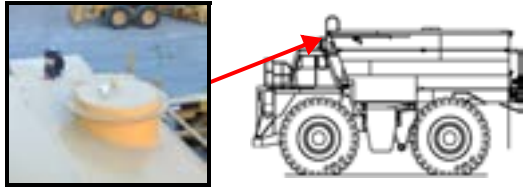
MUD FLAPS

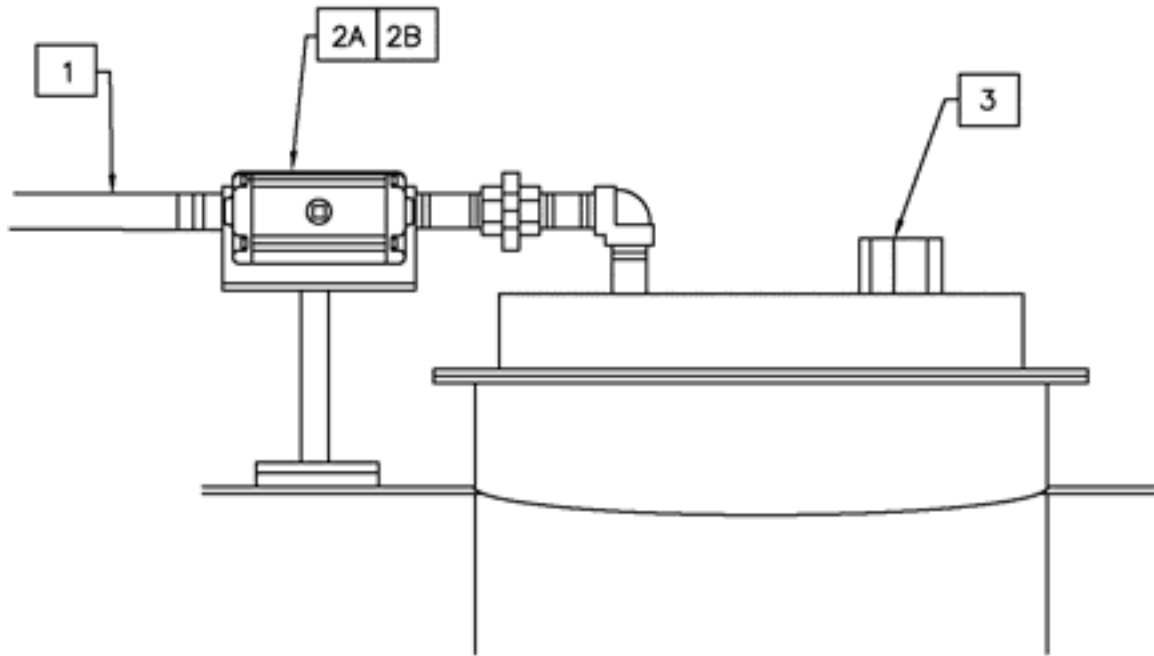
- Water Tank



ITEM	PART NO	DESCRIPTION	QTY	SPARE PART
1	302567	MUD FLAP 3/8" x 48" x 100"		

SECTION 6 Miscellaneous

	<p>FIRE SUPPRESSION SYSTEM</p> <ul style="list-style-type: none"> - 60 or 100 gallon - Electric or Pneumatic Actuator
---	--



ITEM	PART NO	DESCRIPTION	QTY	SPARE PART
1	302815	HOSE, SUPPLY	1	
2A	040035	ACTUATOR, ASSY, PNEUMATIC		
2B	305421	ACTUATOR, ASSY, ELECTRIC		
3	300242	FILTER CAP & STRAINER ASSEMBLY	1	